

## Build-in devices EVESYS

**Button Cap TLG**

Type	Code No.	Weight [g]	Packaging [pcs]
TLG red	763712109	7	5
TLG yellow	763709109	7	5
TLG green	763708108	7	5
TLG white	763701101	7	5

This product can be used for Push button with control light and for Signal light


**Modular indicators SON H**

Type	Code No.	Weight [g]	Packaging [pcs]
SON H-1R	002471550	40	1/400
SON H-1G	002471551	40	1/400
SON H-3R	002471552	48	1/400
SON H-3K	002471553	48	1/400


**Bell/Buzzer**

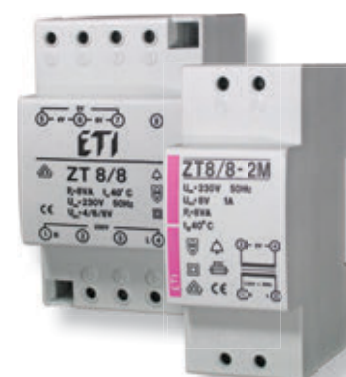
Type	Code No.	$U_n$ [V]	Weight [g]	Packaging [pcs]
Bell ZE 220	002412001	230	70	12/108
Bell ZE 8	002412002	8	70	12/108
Buzzer BE 220	002413001	230	54	12/108
Buzzer BE 8	002413002	8	54	12/108

Application  
For signalling in house, command panels, etc.  
Standards  
CEE 15, DIN 43880


**Bell transformer**

Type	$I_n$ [A]	Code No.	$P_n$ [VA]	$U_{1n}$ [V]	$U_{2n}$ [V]	Weight [g]	Packaging [pcs]
Zt 8/8	1	002411005	8	230	4, 6, 8	620	1/36
Zt 8/12	0,63	002411006	8	230	6, 8, 12	600	1/36
Zt 8/8 - 2M	1	002411010	8	230	8	314	1/54
Zt 8/12 - 2M	0,63	002411011	8	230	12	312	1/54

Application  
For supplying of bells, buzzers, gongs and other devices. It is protected against continual short circuits, the primary and secondary winding are separated.  
Standards  
IEC 61558, EN 60742


**DIN socket**

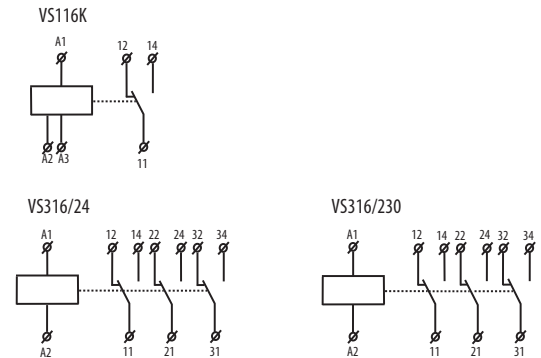
Type	Code No.	$I_n$ [A]	$U_n$ [V]	pole numbers	Weight [g]	Packaging [pcs]
T-2P+Z schuko	002414021	10A DC, 16A AC	250V AC	2+PE	77	15



Power relays VS116K, VS316K

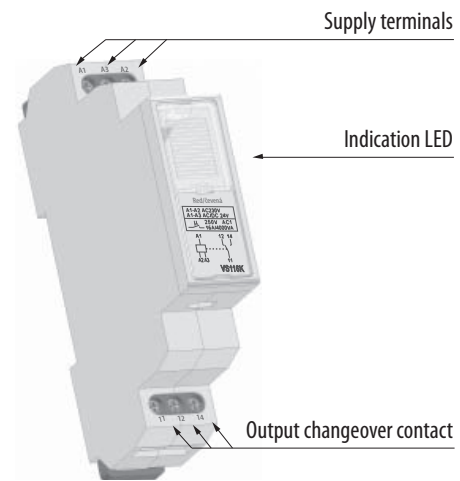
Technical data			
	VS116K	VS316/24	VS316/230
Supply terminals	A1 - A2		
Voltage range	230 V AC/50-60 Hz	24 V AC/DC/50-60 Hz	230 V AC/50-60 Hz
Burden	AC max. 7.5 VA/ 1W	1.6 VA/ 1.2 W	2.5 VA
Supply terminals	A1-A3	x	
Voltage range	24 V AC/DC (50-60 Hz)	x	
Burden	1 VA AC/ 1W DC	x	
Supply voltage tolerance	-15%; +10%		
Output			
Number of contacts	1 x changeover/ SPDT (AgSnO <sub>2</sub> )	3 x changeover/ 3PDT (AgSnO <sub>2</sub> )	
Current rating	16 A/ AC1	16A/ AC1	
Breaking capacity	4000VA/ AC1, 384W/ DC	4000VA/ AC1, 384W/ DC	
Inrush current	30 A/ <3s	30 A/ <3s	
Switching voltage	250 V AC1/ 24 V DC		
Min. breaking capacity DC	500 mW		
Output indication	high intensity of LED		
Mechanical life	3x10 <sup>7</sup>	1x10 <sup>7</sup>	
Electrical life (AC1)	0.7x10 <sup>5</sup>	1x10 <sup>5</sup>	
Time between switching	min. 2s	20 ms	50 ms
Other information			
Operating temperature	-20 °C ... +55 °C (-4 °F ... 131 °F)		
Storage temperature	-30 °C ... +70 °C (-22 °F ... 158 °F)		
Electrical strength	4 kV (supply-output)		
Operating position	any		
Mounting/DIN rail	DIN rail EN 60715		
Protection degree	IP 40 from front panel		
Overvoltage category	III.		
Pollution degree	2		
Max. cable size (mm <sup>2</sup> )	max. 1x 2.5 / 2x1.5 max. 1x2.5		
Dimensions	90 x 17.6 x 64 mm (3.5" x 0.7" x 2.5")		
Weight	54 g (1.9 oz.)	90 g (3.17 oz.)	92 g (3.25 oz.)
Standards	EN 61810-1, EN 61010-1		

Symbol



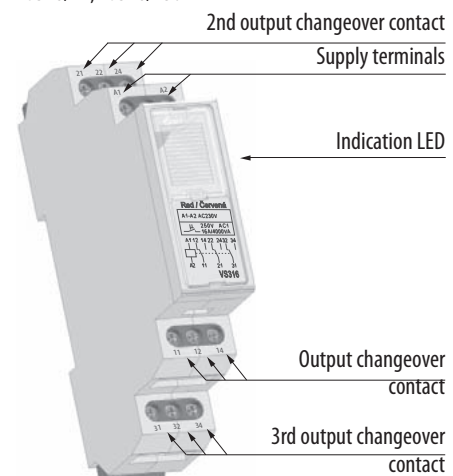
Description

VS116K



terminal A3 only for VS116K

VS316/24, VS316/230



Notes

Max. time of changeover of contact is 10ms.  
VS316/24 and VS316/230 enable switching of different phases or 3 phase voltage.