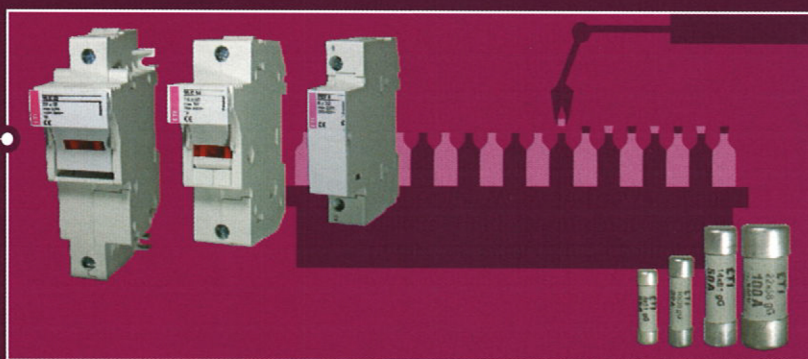


INDUSTRIAL INSTALLATIONS

High-quality protection of installations and devices in industry is ensured by wide selection of fuse-links and circuit breakers. Particularly important is the wide range of NV/NH fuse-links and switchgear combinations, i.e. fuse blocks and switch disconnectors. We also offer MCB's and power circuit breakers ETIBREAK. And not to forget ETICON contactors, plug-in outfit and line-up terminals SPOJ and overvoltage protection devices ETITEC. As well we can not provide solutions without switch disconnectors ETISWITCH and actuators and indicators ETISIG. The products are internationally certified and carry several quality marks.



INDUSTRY



3-pole fuse base D0

Type	I _n [A]	Code No.	Screw	With protection cover	Without protection cover	Click-on mounting	Screw mounting	Weight [g]	Packaging [pcs]
D01N/3 - K	16	002221021	E14	0		X		216	5/100
D01V/3 - K	16	002221020	E14	0			X	187	5/100
D02N/3 - K	63	002222021	E18	0		X		252	5/40
D02V/3 - K	63	002222020	E18	0			X	246	5/40
D02N/3 M5 - K	63	002222023	E18	0		X		237	5/40
D02V/3 M5 - K	63	002222022	E18	0			X	231	5/40
D01N/3	16	002221031	E14		0	X		176	5/50
D01V/3	16	002221030	E14		0		X	170	5/50
D02N/3	63	002222031	E18		0	X		235	5/50
D02V/3	63	002222030	E18		0		X	229	5/50
D02N/3 M5	63	002222033	E18		0	X		220	5/50
D02V/3 M5	63	002222032	E18		0		X	214	5/50

Accessories

Protection cover



1-pole protection cover for fuse base

Type	Code No.	Weight [g]	Packaging [pcs]
D01V, D01N	002251006	8	50/700
D02V, D02N	002251005	8	50/700



3-pole protection cover for fuse base

Type	Code No.	Weight [g]	Packaging [pcs]
D01V/3, D01N/3	002251004	17	14/280
D02V/3, D02N/3	002251002	16	14/280

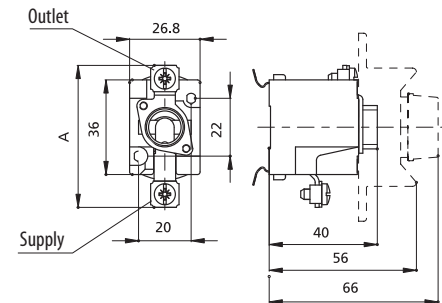
D0

Technical data

Ceramic fuse base

Technical data	
Rated voltage U_n	400 V AC
Rated current I_n	D01 16 A, D02 63 A
Cross-section of connecting lead	D01 1 - 4 mm ² D02 1,5 - 25 mm ²
Connection clamp	with screw +- PZ
Standards	IEC 60269, EN 60269, DIN VDE 0636, SIST EN 60269

1-pole fuse base D0				
type	connections		cross-section of connecting lead [mm ²]	dimension A [mm]
	outlet	supply		
D01N - K			1,5 - 4	53
D01V - K			1,5 - 4	53
D02N - K			2,5 - 25	57
D02V - K			2,5 - 25	57
D02N M5 - K			2,5 - 25	57
D02V M5 - K			2,5 - 25	57
D01N			1,5 - 4	53
D01V			1,5 - 4	53
D02N			2,5 - 25	57
D02V			2,5 - 25	57
D02N M5			2,5 - 25	57
D02V M5			2,5 - 25	57



3-pole fuse base D0				
type	connections		cross-section of connecting lead [mm ²]	dimension A [mm]
	outlet	supply		
D01N/3 - K			1,5 - 4	53
D01V/3 - K			1,5 - 4	53
D02N/3 - K			2,5 - 25	57
D02V/3 - K			2,5 - 25	57
D02N/3 M5 - K			2,5 - 25	57
D02V/3 M5 - K			2,5 - 25	57
D01N/3			1,5 - 4	53
D01V/3			1,5 - 4	53
D02N/3			2,5 - 25	57
D02V/3			2,5 - 25	57
D02N/3 M5			2,5 - 25	57
D02V/3 M5			2,5 - 25	57

