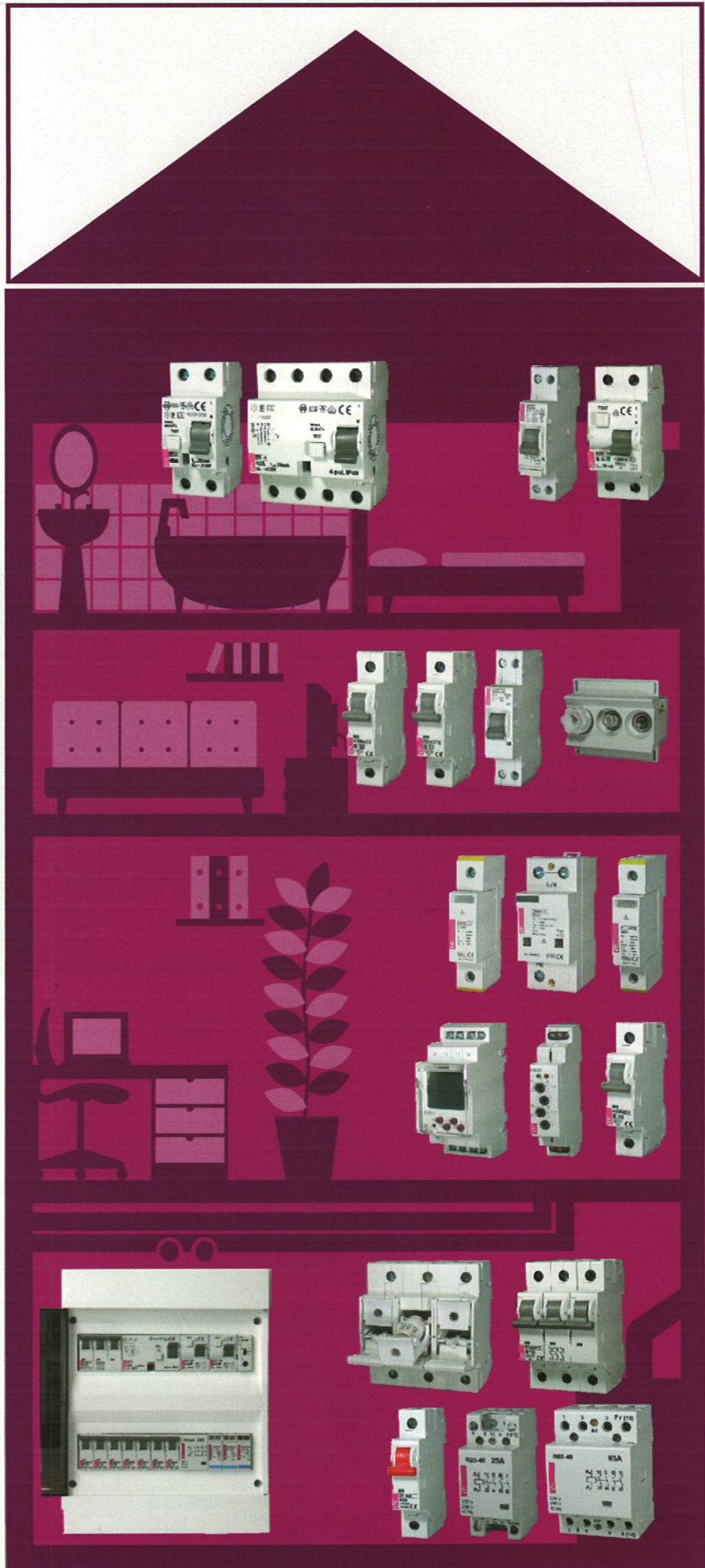


RESIDENTIAL AND COMMERCIAL INSTALLATIONS

ETI provides high-quality and integral solutions for protection of electrical installations in buildings. We supply all kinds of type D, D0 and C fuse-links, as well as MCB's and various types of residual current protection switches from ASTI group. In our sales program you will also find various types of switches and supervision & control devices of EVE group. Very important is also overvoltage protection ETITEC. All together shall be built, of course, into a distribution cabinet DIDO of your choice. The products are internationally certified and carry several quality marks.



MCBs - Miniature circuit breakers ETIMAT

Advantages of miniature circuit breakers ETIMAT 6

→ Sealing possibility



→ "ON/OFF" mark on the switch button

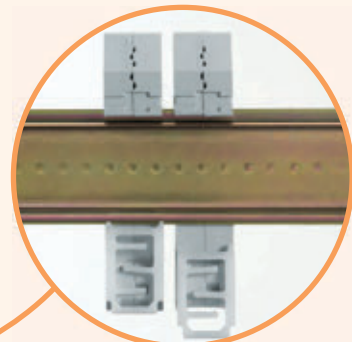
→ Option of mounting auxiliary devices (auxiliary switch, shunt trip)



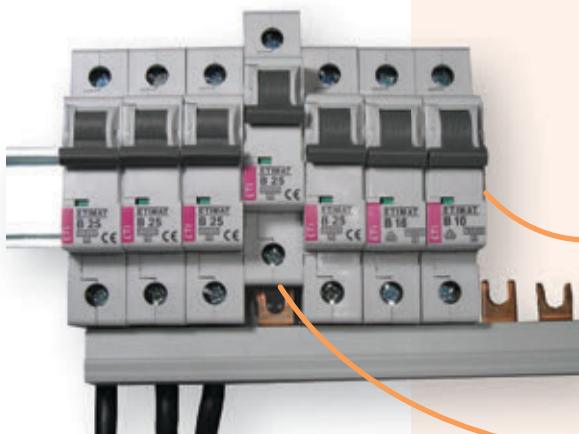
→ Better protection of terminals against touching the parts under voltage

→ Double connection possibility

→ Every product is marked with EAN Code



→ New method of mounting on the DIN rail and simple replacement



Miniature circuit breakers

Miniature circuit breaker ETIMAT 1N

 Rated short-circuit capacity
6 kA

 Rated current
6 - 32 A

 Tripping characteristic
B, C

ETIMAT 1N

I _n [A]	Code No. B	Code No. C	Packaging [pcs]
6	002191101	002191121	12/108
10	002191102	002191122	12/108
13	002191103	002191123	12/108
16	002191104	002191124	12/108
20	002191105	002191125	12/108
25	002191106	002191126	12/108
32	002191107	002191127	12/108

Description

Miniature circuit breaker ETIMAT 1N is a device with protected line pole and switched neutral pole.

Advantages:

- 1-pole+N in single housing
- Sealing possibility
- Indication of contacts' state
- New method of mounting on the DIN rail and simple replacement



Accessories for ETIMAT 6

PS ETIMAT is an auxiliary switch used for remote signalling of the MCB to which it is fixed. PS ETIMAT may also be fixed later of the state. Clamps are safe to touch. External dimensions comply with MCB, built-in width is 0,5 module (9 mm). During fitting, the MCB must be switched off.

Auxiliary switch PS ETIMAT

Code No.	Type	contacts	Weight [g]	Packaging [pcs]
002159031	PS ETIMAT 10 - MD	NO + NC	35	1/12
002159032	PS ETIMAT 10 - M	1 x NC	30	1/12
002159033	PS ETIMAT 10 - D	1 x NO	30	1/12

DA ETIMAT shunt trip release is fixed to the right side of the miniature circuit breaker ETIMAT for remote release of the MCB. Dimensions correspond to those of MCB ETIMAT.

Shunt trip release DA ETIMAT

	Code No.	Weight [g]	Packaging [pcs]
DA ETIMAT 10 230 V AC/DC	002159301	110	1/54
DA ETIMAT 10 48 V AC/DC	002159311	110	1/54
DA ETIMAT 10 24V AC/DC	002159312	110	1/54

Sealing piece ETIMAT

Code No.	Weight [g]	Packaging [pcs]
002159041	2	12

Marking cover ETIMAT

Code No.	Packaging [pcs]
002159051	12



Technical data

Resistance and power loss

characteristic	I_n [A]	R [mΩ]	P [w]
C, D	0,5	4500	1,12
	1	1800	1,80
	1,6	450	1,15
	2	280	1,08
	4	110	1,70
B, C, D	6	29	1,08
	10	13	1,30
	13	11,6	2,00
	16	9,0	2,30
	20	5,3	2,00
	25	4,1	2,50
	32	2,6	2,70
	40	1,96	3,20
	50	1,5	4,00
	63	1,15	4,80

Selectivity

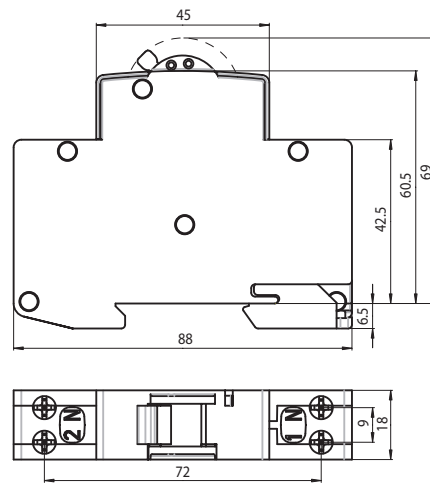
ETIMAT	gG NV											
	20	25	32	35	40	50	63	80	100	125	160	
B 6	0,5	0,78	1,2	1,4	1,7	2,4	4,6	6,0	6,0	6,0	6,0	
B 10/13	0,45	0,65	1,1	1,3	1,6	2,2	4,0	6,0	6,0	6,0	6,0	
B 16		0,55	1,0	1,2	1,5	2,0	3,6	5,5	6,0	6,0	6,0	
B 20			0,85	1,2	1,5	1,8	3,1	4,6	6,0	6,0	6,0	
B 25				1,1	1,4	1,7	2,9	4,0	6,0	6,0	6,0	
B 32					1,3	1,6	2,5	3,4	5,5	6,0	6,0	
B 40						1,5	2,2	3,1	4,9	6,0	6,0	
B 50							2,1	2,9	4,0	6,0	6,0	
B 63								2,5	3,3	5,1	6,0	

ETIMAT	gG NV											
	20	25	32	35	40	50	63	80	100	125	160	
C,D 6	0,52	0,82	1,3	1,5	2,0	2,7	5,1	6,0	6,0	6,0	6,0	
C,D 10/13	0,47	0,70	1,1	1,4	1,8	2,3	4,0	6,0	6,0	6,0	6,0	
C,D 16		0,61	0,92	1,2	1,5	1,9	3,2	5,0	6,0	6,0	6,0	
C,D 20			0,90	1,1	1,4	1,7	2,9	4,2	6,0	6,0	6,0	
C,D 25				1,0	1,3	1,6	2,7	3,9	6,0	6,0	6,0	
C,D 32					1,2	1,5	2,3	3,4	5,2	6,0	6,0	
C,D 40						1,4	2,1	3,0	4,6	6,0	6,0	
C,D 50							2,0	2,7	3,8	6,0	6,0	
C,D 63								2,3	3,2	5,5	6,0	

Miniature circuit breaker ETIMAT 1N

Technical data

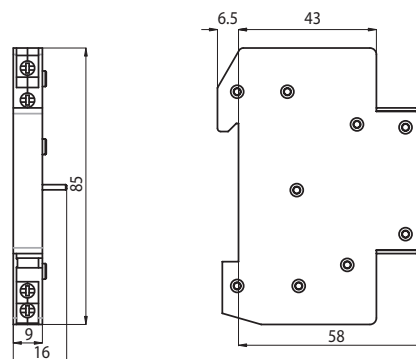
Rated voltage U_n	230 V AC
Rated current I_n	6-32 A
Rated frequency f_n	50/60Hz
Rated short-circuit capacity	6.000 A
Back-up fuse	100 A gG
Tripping characteristics	B, C
Overtoltage category	III
Energy limiting class	3
Terminals	1-10mm ² , max. 1,5Nm
Terminal screw	M4 (Pozidrive PZ2)
Build-in width	18mm
Mounting position	any
Supply possibility	top or bottom
Resistance to vibrations acc. to IEC 60068-2-7	5g (10,60 & 500Hz)
Standard	IEC 60898, EN 60898



Auxiliary switch PS ETIMAT

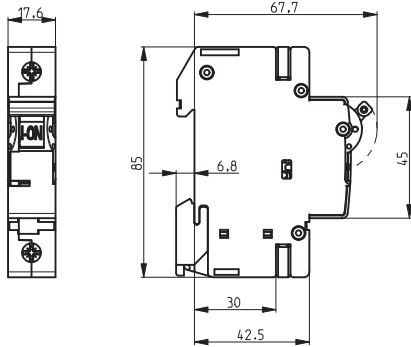
Technical data

Rated current	6A (230V AC), 1A (110V DC), 0,5A (220V DC)
Terminal	1-4mm ² , max 0,5Nm
Terminal screw	M3 (PH1)
Contact	1 xb-contact (NC) 1 xa-contact (NO)
Conditional short-circuit current	1 kA with fuse-link 20 A
Mounting position	any
Standard	EN-62019

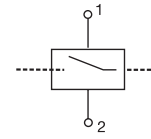


PS ETIMAT is an auxiliary switch only for ETIMAT 6.

Shunt trip release DA ETIMAT

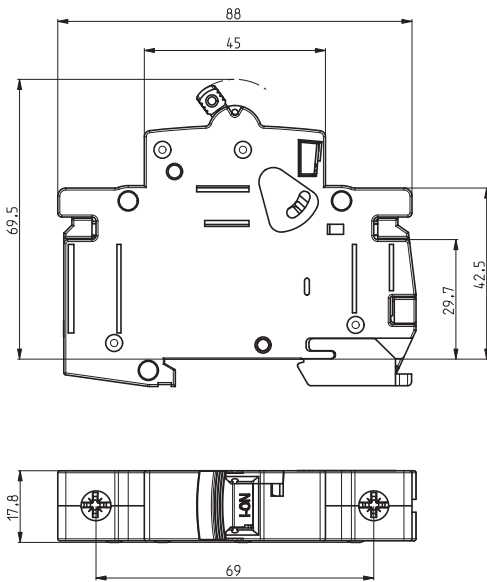


Technical data	
Nominal voltage	24V AC/DC, 48V AC/DC, 230V AC/DC
Rated frequency	50/60Hz
Max. inrush current	3,6 A
Terminals	1-25mm ² , max 3Nm
Terminal Screw	M5 (Pozidrive PZ2)
Build-in width	18mm
Mounting position	any
Mounting on the rail	EN 60715 (EN 50022)

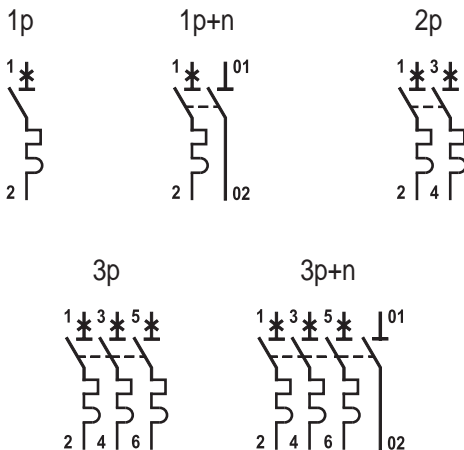


DA ETIMAT is a shunt trip release only for ETIMAT 6.

Miniature circuit breaker ETIMAT P10



Technical data	
Rated voltage	230/400 V AC; max. 60 V DC / pole
Rated current	B:1-63A, C:0.5-63A, D:0.5-32A, K, Z:0.5-32A
Rated frequency	50/60Hz
Shock resistance	30g.min. 2 shocks, t = 13ms
Rated short-circuit capacity	10 kA
Energy limiting class	3; B,C
Tripping characteristic	B, C, D, K, Z
Back-up fuse	100A gG
Index of protection	IP 20 (IP 40)
Terminals	1-25mm ² , max. 2,5Nm
Terminal screw	M5 (Pozidrive PZ2)
Mechanical endurance	20000 op.c.
Electrical endurance	20000 op.c. (I _n ≤ 32A), 10000 op.c. (I _n > 32A)
Ambient temperature	max. -25°C ... +55°C
Storage temperature	max. -40°C ... +70°C
Supply possibility	top or bottom
Build-in width	18 mm/pol
Insulating class	B
Overvoltage category	III
Mounting on the rail	EN 60715
Mounting position	any
Sealing possibility	✓
Terminal cover	✓
Locking device	✓
Resistance to vibrations acc. to IEC 60068-2-7	5g (10,60 & 500Hz)
Standards	EN 60898, IEC 60898, IEC 60947-2



Tripping characteristics			
Characteristic	Test current	Tripping time	Result
B, C, D	1,13 I _n	t ≥ 3600 s	No tripping
B, C, D	1,45 I _n	t < 3600 s	Tripping
B, C, D	2,55 I _n	1s < t < 60 s	Tripping
B	3,00 I _n	t ≤ 0,1 s	No tripping
C	5,00 I _n	t ≤ 0,1 s	No tripping
D	10,00 I _n	t ≤ 0,1 s	No tripping
B	5,00 I _n	t < 0,1 s	Tripping
C	10,00 I _n	t < 0,1 s	Tripping
D	20,00 I _n	t < 0,1 s	Tripping
K	1,05 I _n	t > 7200 s	No Tripping
K	1,20 I _n	t < 7200 s	Tripping
K	8,00 I _n	t ≤ 0,2 s	No Tripping
K	12,00 I _n	t < 0,2 s	Tripping
Z	2,00 I _n	t ≤ 0,2s	No Tripping
Z	3,00 I _n	t < 0,2s	Tripping