

## RESIDENTIAL AND COMMERCIAL INSTALLATIONS

ETI provides high-quality and integral solutions for protection of electrical installations in buildings. We supply all kinds of type D, D0 and C fuse-links, as well as MCB's and various types of residual current protection switches from ASTI group. In our sales program you will also find various types of switches and supervision & control devices of EVE group. Very important is also overvoltage protection ETITEC. All together shall be built, of course, into a distribution cabinet DIDO of your choice. The products are internationally certified and carry several quality marks.



# RCBOs - Residual current circuit breakers with integral overcurrent protection KZS

## Advantages of residual current circuit breakers with integral overcurrent protection KZS - 1M

→ Combining the features of miniature circuit breaker and a residual current circuit breaker, functionally dependent on line voltage (minimum supply voltage 90V)

→ Version with operating temperature down to -35°C also available

→ Real contact position indication for easier identification, whether RCBO is in ON or OFF position

→ Added protection against any pulsating DC component that can be generated from electrical appliances

→ Energy limiting class 3: highest energy limiting performance for optimal protection of cable insulation and maximally reducing risk of fire and other damage

→ Sealing possibility

→ 1-module housing (18 mm), with switched neutral line

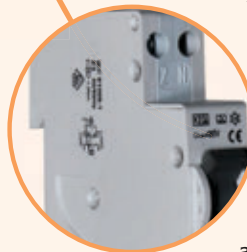
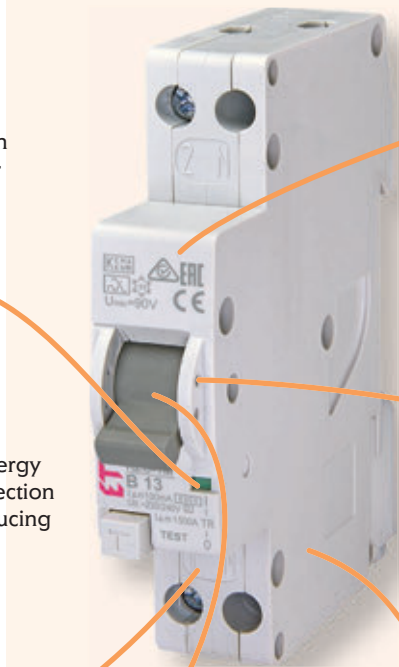
→ Clearly marked terminals to ensure appropriate connection

→ In case of overcurrent or differential current, the button moves to the "trip" (middle) position. In case of manual turn off, the button moves to the "off" (lowest) position.

→ All necessary technical and installation information can be found on the front and side of the device

→ The terminals accept not only wires but also time saving busbars

→ Advanced method of mounting enables an easy removal of single RCBO without disconnecting other units from the busbar



## Residual current circuit breakers with integral overcurrent protection

## Residual current circuit breaker with integral overcurrent protection KZS-2M

Rated short-circuit capacity  
**10 kA**Rated current  
**6 - 40 A**Tripping characteristic  
**B, C**Rated residual current  
**0,01 - 0,5 A**

Description: KZS (KZS-2M, KZS-4M) is a residual current circuit breaker combining the features of a miniature circuit breaker and a residual current circuit breaker and is functionally independent on line voltage. Used primarily in circuits with an increased requirements regarding touch voltage such as circuits of portable appliances, in kindergartens, schools, hospitals etc.

**KZS-2M  $I_{\Delta n} = 10 \text{ mA}$** 

$I_n$ [A]	Type A		Weight [g]	Packaging [pcs]
	Code No. B	Code No. C		
6	002173211	002173231	225	1/54
10	002173212	002173232	225	1/54
13	002173213	002173233	225	1/54
16	002173214	002173234	225	1/54
20	002173215	002173235	225	1/54
25	002173216	002173236	225	1/54
32	002173217	002173237	225	1/54
40	002173218	002173238	225	1/54

**KZS-2M  $I_{\Delta n} = 30 \text{ mA}$** 

$I_n$ [A]	Type A		Type AC		Weight [g]	Packaging [pcs]
	Code No. B	Code No. C	Code No. B	Code No. C		
6	002173201	002173221	002173101	002173121	225	1/54
10	002173202	002173222	002173102	002173122	225	1/54
13	002173203	002173223	002173103	002173123	225	1/54
16	002173204	002173224	002173104	002173124	225	1/54
20	002173205	002173225	002173105	002173125	225	1/54
25	002173206	002173226	002173106	002173126	225	1/54
32	002173207	002173227	002173107	002173127	225	1/54
40	002173208	002173228	002173108	002173128	225	1/54

**KZS-2M  $I_{\Delta n} = 100 \text{ mA}$** 

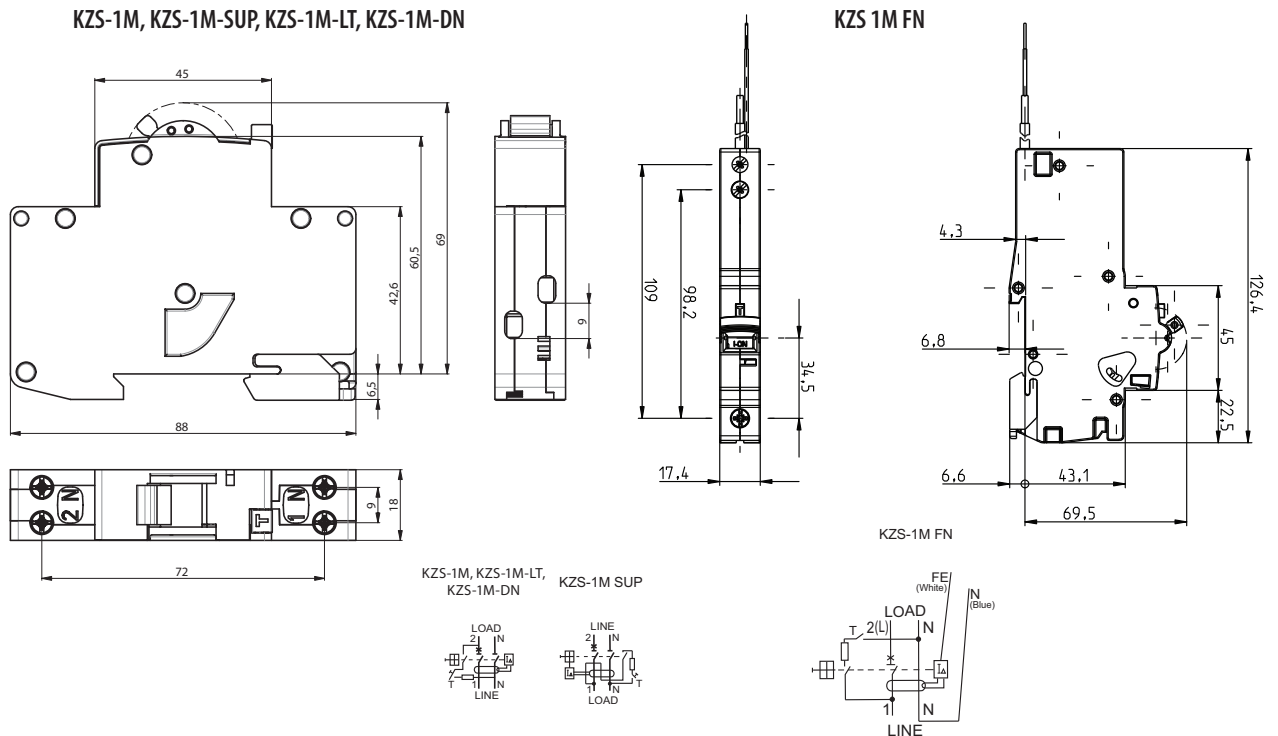
$I_n$ [A]	Type A		Weight [g]	Packaging [pcs]
	Code No. B	Code No. C		
6	002173701	002173721	225	1/54
10	002173702	002173722	225	1/54
13	002173703	002173723	225	1/54
16	002173704	002173724	225	1/54
20	002173705	002173725	225	1/54
25	002173706	002173726	225	1/54
32	002173707	002173727	225	1/54
40	002173708	002173728	225	1/54

**KZS-2M  $I_{\Delta n} = 300 \text{ mA}$** 

$I_n$ [A]	Type A		Type AC		Weight [g]	Packaging [pcs]
	Code No. B	Code No. C	Code No. B	Code No. C		
6	002173401	002173421	002173301	002173321	225	1/54
10	002173402	002173422	002173302	002173322	225	1/54
13	002173403	002173423	002173303	002173323	225	1/54
16	002173404	002173424	002173304	002173324	225	1/54
20	002173405	002173425	002173305	002173325	225	1/54
25	002173406	002173426	002173306	002173326	225	1/54
32	002173407	002173427	002173307	002173327	225	1/54
40	002173408	002173428	002173308	002173328	225	1/54



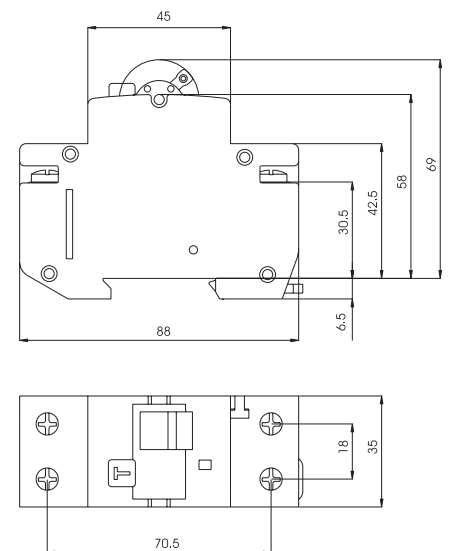
## Technical data



## Residual current circuit breaker with integral overcurrent protection KZS-2M

**Technical data**

Type	INST	G/KV
Rated voltage $U_n$	230 V AC	
Rated current $I_n$	6-40 A	4-40A
Rated frequency $f_n$	50/60 Hz	
Rated short-circuit capacity	10.000 A	
Back-up fuse	100 A gG	
Tripping characteristic	B, C	
Type	A, AC	
Rated residual current $I_{\Delta n}$	10, 30, 100, 300, 500 mA	30 mA
Peak withstand current	250 A	3 kA
Rated residual making and breaking capacity $I_{\Delta m}$	10.000A	
Terminals	1-25 mm <sup>2</sup> , max. 3Nm	
Terminal screw	M5 (PoziDrive PZ2)	
Width	36 mm	
Mounting position	any	
Resistance to vibrations acc. to IEC 60068-2-7	5g (10,60 & 500Hz)	
Standard	IEC 61009, EN 61009	



Conductor cross-section [mm <sup>2</sup> ]	Number of single conductors, rigid, single-wire CU conductor				
	1	2	3	4	5
1,5	✓	✓	✓	✓	✗
2,5	✓	✓	✓	✗	✗
4	✓	✓	✓	✗	✗
6	✓	✓	✗	✗	✗
10	✓	✓	✗	✗	✗
16	✓	✗	✗	✗	✗
25	✓	✗	✗	✗	✗

Remark: When you use more than 2 cables you have to be careful how those cables are inserted, due to insure proper pressure on each cable

Conductor cross-section [mm <sup>2</sup> ]	Number of single conductors, flexible Cu conductors without cable ferrule					
	1	2	3	4	5	6
1,5	✓	✓	✓	✓	✓	✓
2,5	✓	✓	✓	✓	✓	✓
4	✓	✓	✓	✓	✓	✓
6	✓	✓	✓	✗	✗	✗
10	✓	✓	✗	✗	✗	✗
16	✓	✗	✗	✗	✗	✗
25	✓	✗	✗	✗	✗	✗

Combination of rigid single-wire and flexible multi-wire Cu conductors is not allowed

