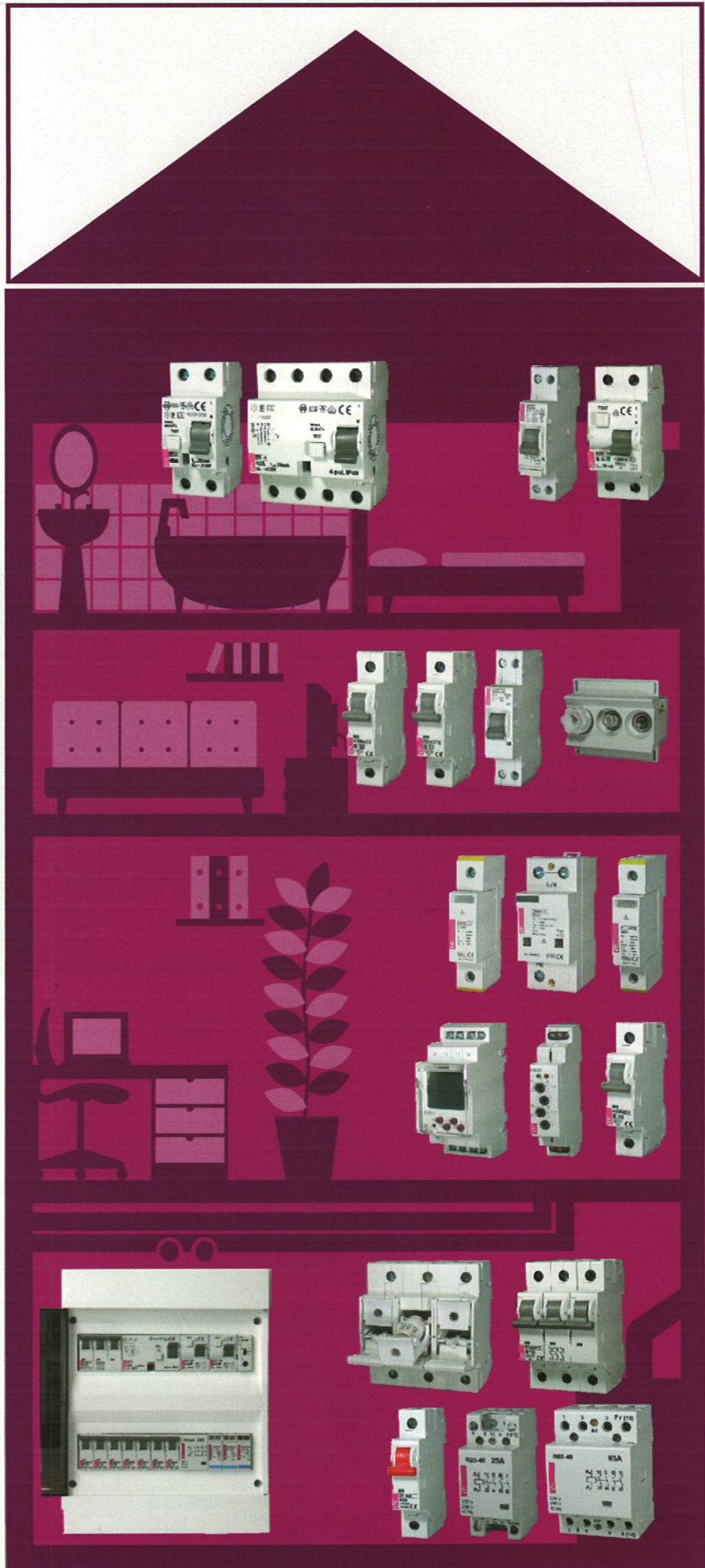


RESIDENTIAL AND COMMERCIAL INSTALLATIONS

ETI provides high-quality and integral solutions for protection of electrical installations in buildings. We supply all kinds of type D, D0 and C fuse-links, as well as MCB's and various types of residual current protection switches from ASTI group. In our sales program you will also find various types of switches and supervision & control devices of EVE group. Very important is also overvoltage protection ETITEC. All together shall be built, of course, into a distribution cabinet DIDO of your choice. The products are internationally certified and carry several quality marks.



RCCBs - Residual current circuit breakers EFI

Features of residual current circuit breakers EFI

→ Rated conditional short-circuit current : 10 kA

→ AC - pure sinus residual current,
 → A - AC + pulsating direct current
 → B - AC + A + smooth direct current + high frequency (1 kHz)
 → B+ - AC + A + smooth direct current + high frequency (20kHz)

→ Real contact position indication for easier contact status identification

→ Test button enables user to check residual functionality

→ Various quality marks

→ RCCBs can be supplied with single phase and three phase busbars

→ The terminals accept not only wires but also time saving busbars

→ Supply is possible both from top and bottom terminals

A and AC type residual current circuit breaker EFI-2

Rated residual current
0,03 - 0,5 A

Rated current
16 - 80 A

Type
A, AC



16 - 80 A



100 A

EFI-2 Type A, EFI-2 Type AC

| I _n [A] | I _{Δn} [A] | Number of poles | Code No. A | | | Code No. AC | | Weight [g] | Packaging [pcs] |
|-----------------------|------------------------|--------------------|---------------|-----------------------|-------------|---------------|-----|---------------|--------------------|
| | | | Instantaneous | G/KV-Short time delay | S-Selective | Instantaneous | | | |
| 16 | 0,03 | 2 | 002062521 | - | - | 002062121 | 197 | 1/54 | |
| 25 | 0,03 | 2 | 002062522 | 002062727 | - | 002062122 | 197 | 1/54 | |
| 40 | 0,03 | 2 | 002062523 | 002062728 | - | 002062123 | 197 | 1/54 | |
| 63 | 0,03 | 2 | 002062524 | 002062729 | - | 002062124 | 206 | 1/54 | |
| 80 | 0,03 | 2 | 002062525 | - | - | 002062125 | 208 | 1/54 | |
| 100 | 0,03 | 2 | 002062530 | - | - | 002062531 | 244 | 1/54 | |
| 16 | 0,1 | 2 | 002063521 | - | - | 002063121 | 193 | 1/54 | |
| 25 | 0,1 | 2 | 002063522 | 002063727 | 002063732 | 002063122 | 193 | 1/54 | |
| 40 | 0,1 | 2 | 002063523 | 002063728 | 002063733 | 002063123 | 193 | 1/54 | |
| 63 | 0,1 | 2 | 002063524 | 002063729 | 002063734 | 002063124 | 196 | 1/54 | |
| 80 | 0,1 | 2 | 002063525 | - | - | 002063125 | 198 | 1/54 | |
| 100 | 0,1 | 2 | 002062532 | - | - | 002062533 | 230 | 1/54 | |
| 16 | 0,3 | 2 | 002064521 | - | - | 002064121 | 198 | 1/54 | |
| 25 | 0,3 | 2 | 002064522 | 002064727 | 002064732 | 002064122 | 198 | 1/54 | |
| 40 | 0,3 | 2 | 002064523 | 002064728 | 002064733 | 002064123 | 198 | 1/54 | |
| 63 | 0,3 | 2 | 002064524 | 002064729 | 002064734 | 002064124 | 204 | 1/54 | |
| 80 | 0,3 | 2 | 002064525 | - | - | 002064125 | 208 | 1/54 | |
| 100 | 0,3 | 2 | 002062534 | - | - | 002062535 | 230 | 1/54 | |
| 16 | 0,5 | 2 | 002065521 | - | - | 002065121 | 198 | 1/54 | |
| 25 | 0,5 | 2 | 002065522 | - | - | 002065122 | 198 | 1/54 | |
| 40 | 0,5 | 2 | 002065523 | - | - | 002065123 | 198 | 1/54 | |
| 63 | 0,5 | 2 | 002065524 | - | - | 002065124 | 204 | 1/54 | |
| 80 | 0,5 | 2 | 002065525 | - | - | 002065125 | 208 | 1/54 | |

A and AC type residual current circuit breaker EFI-4

Rated residual current
0,03 - 0,5 A

Rated current
16 - 80 A

Type
A, AC



16 - 80 A



100 A

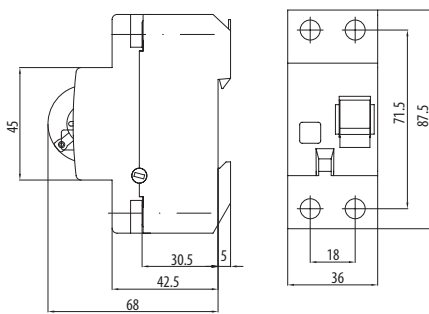
EFI-4 Type A, EFI-4 Type AC

| I _n [A] | I _{Δn} [A] | Number of poles | Code No. A | | | Code No. AC | | Weight [g] | Packaging [pcs] |
|-----------------------|------------------------|--------------------|---------------|-----------------------|-------------|---------------|-----|---------------|--------------------|
| | | | Instantaneous | G/KV-Short time delay | S-Selective | Instantaneous | | | |
| 16 | 0,03 | 4 | 002062541 | - | - | 002062141 | 328 | 1/27 | |
| 25 | 0,03 | 4 | 002062542 | 002062747 | - | 002062142 | 328 | 1/27 | |
| 40 | 0,03 | 4 | 002062543 | 002062748 | - | 002062143 | 328 | 1/27 | |
| 63 | 0,03 | 4 | 002062544 | 002062749 | - | 002062144 | 350 | 1/27 | |
| 80 | 0,03 | 4 | 002062545 | - | - | 002062145 | 385 | 1/27 | |
| 100 | 0,03 | 4 | 002062150 | - | - | 002062151 | 407 | 1/27 | |
| 16 | 0,1 | 4 | 002063541 | - | - | 002063141 | 320 | 1/27 | |
| 25 | 0,1 | 4 | 002063542 | 002063747 | 002063752 | 002063142 | 320 | 1/27 | |
| 40 | 0,1 | 4 | 002063543 | 002063748 | 002063753 | 002063143 | 320 | 1/27 | |
| 63 | 0,1 | 4 | 002063544 | 002063749 | 002063754 | 002063144 | 338 | 1/27 | |
| 80 | 0,1 | 4 | 002063545 | - | - | 002063145 | 380 | 1/27 | |
| 100 | 0,1 | 4 | 002062152 | - | - | 002062153 | 407 | 1/27 | |
| 16 | 0,3 | 4 | 002064541 | - | - | 002064141 | 320 | 1/27 | |
| 25 | 0,3 | 4 | 002064542 | 002064747 | 002064752 | 002064142 | 320 | 1/27 | |
| 40 | 0,3 | 4 | 002064543 | 002064748 | 002064753 | 002064143 | 320 | 1/27 | |
| 63 | 0,3 | 4 | 002064544 | 002064749 | 002064754 | 002064144 | 338 | 1/27 | |
| 80 | 0,3 | 4 | 002064545 | - | - | 002064145 | 380 | 1/27 | |
| 100 | 0,3 | 4 | 002062154 | - | - | 002062155 | 372 | 1/27 | |
| 16 | 0,5 | 4 | 002065541 | - | - | 002065141 | 320 | 1/27 | |
| 25 | 0,5 | 4 | 002065542 | - | - | 002065142 | 320 | 1/27 | |
| 40 | 0,5 | 4 | 002065543 | - | - | 002065143 | 320 | 1/27 | |
| 63 | 0,5 | 4 | 002065544 | - | - | 002065144 | 338 | 1/27 | |
| 80 | 0,5 | 4 | 002065545 | - | - | 002065145 | 380 | 1/27 | |

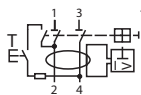
* Version with N-pole on the left side is also available.

Residual current circuit breaker EFI-2

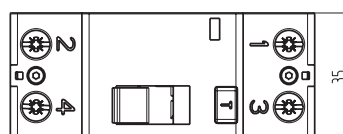
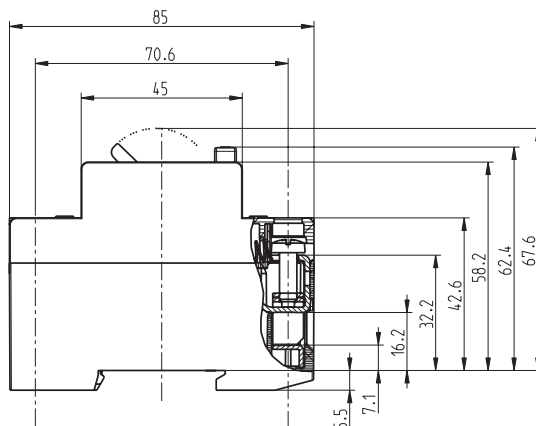
| Technical data | | | |
|--|--------------------------------|----------------------------------|----------------------------------|
| Type | Instantenous | G/KV type | S type |
| Electrical | | | |
| Rated voltage U_n | 230/240V AC | 230/240V AC | 230/240V AC |
| Rated current I_n | 16, 25, 40, 63, 80, 100A | 25, 40, 63A | 25, 40, 63A |
| Rated Insulation voltage U_i | 440V | 440V | 440V |
| Rated frequency f_n | 50/60Hz | 50/60Hz | 50/60Hz |
| Peak withstand current | - | 3kA (8/20ms) surge current proof | 5kA (8/20ms) surge current proof |
| Electrical isolation | > 4mm contact space | > 4mm contact space | > 4mm contact space |
| Rated residual operating current $I_{\Delta n}$ | 0,03; 0,1 & 0,3A | 0,03; 0,1 & 0,3A | 0,1 & 0,3A |
| Rated conditional short-circuit current I_{cn} | 10kA | 10kA | 10kA |
| Rated making and breaking capacity I_m | 800A | 630A | 630A |
| Maximum back-up fuse | 100A gG | 80A gG | 80A gG |
| Isolation class | B | B | B |
| Standard | IEC/EN 61008 | IEC/EN 61008, OVE E 8601 | IEC/EN 61008 |
| Mechanical endurance (op. c.) | > 4000 | > 4000 | > 4000 |
| Electrical endurance (op. c.) | > 2000 | > 2000 | > 2000 |
| Mechanical | | | |
| Frame size | 45mm | 45mm | 45mm |
| Device height | 68mm (DIN rail acc to EN60715) | 68mm (DIN rail acc to EN60715) | 68mm (DIN rail acc to EN60715) |
| Device width | 36mm (2 x Module units 18mm) | 36mm (2 x Module units 18mm) | 36mm (2 x Module units 18mm) |
| Degree of protection | IP20 | IP20 | IP20 |
| Upper and lower terminals | open mounted/lift terminals | open mounted/lift terminals | open mounted/lift terminals |
| Terminal capacity | 1-25mm ² | 1-25mm ² | 1-25mm ² |
| Terminal screw | M5 (Pozidrive PZ2) | M5 (Pozidrive PZ2) | M5 (Pozidrive PZ2) |
| Terminal torque | 2-2,5Nm | 2-2,5Nm | 2-2,5Nm |
| Busbar thickness | 0,8 - 2 mm | 0,8 - 2 mm | 0,8 - 2 mm |
| Operating temperature | -25°C ... +55°C | -25°C ... +55°C | -25°C ... +55°C |
| Storage and transport temperature | -40°C ... +70°C | -40°C ... +70°C | -40°C ... +70°C |
| Resistance to climatic conditions | IEC/EN 61008 | IEC/EN 61008 | IEC/EN 61008 |
| Resistance to vibrations acc. to IEC 60068-2-7 | 5g (10,60 & 500Hz) | 5g (10,60 & 500Hz) | 5g (10,60 & 500Hz) |
| Contact position indicator | mechanical red/green | mechanical red/green | mechanical red/green |
| Supply possibility | Top or bottom | Top or bottom | Top or bottom |
| Mounting position | any | any | any |



EFI-2 16-80 A



EFI-2 100 A



EFI-2 100 A