

RESIDENTIAL AND COMMERCIAL INSTALLATIONS

ETI provides high-quality and integral solutions for protection of electrical installations in buildings. We supply all kinds of type D, D0 and C fuse-links, as well as MCB's and various types of residual current protection switches from ASTI group. In our sales program you will also find various types of switches and supervision & control devices of EVE group. Very important is also overvoltage protection ETITEC. All together shall be built, of course, into a distribution cabinet DIDO of your choice. The products are internationally certified and carry several quality marks.



RCCBs - Residual current circuit breakers EFI

Features of residual current circuit breakers EFI

→ Rated conditional short-circuit current : 10 kA

→ AC - pure sinus residual current,
→ A - AC + pulsating direct current
→ B - AC + A + smooth direct current + high frequency (1 kHz)
→ B+ - AC + A + smooth direct current + high frequency (20kHz)

→ Real contact position indication for easier contact status identification

→ Test button enables user to check residual functionality

→ Various quality marks

→ RCCBs can be supplied with single phase and three phase busbars

→ The terminals accept not only wires but also time saving busbars

→ Supply is possible both from top and bottom terminals

A and AC type residual current circuit breaker EFI-2

Rated residual current
0,03 - 0,5 A

Rated current
16 - 80 A

Type
A, AC



16 - 80 A



100 A

EFI-2 Type A, EFI-2 Type AC

I _n [A]	I _{Δn} [A]	Number of poles	Code No. A			Code No. AC		Weight [g]	Packaging [pcs]
			Instantaneous	G/KV-Short time delay	S-Selective	Instantaneous			
16	0,03	2	002062521	-	-	002062121	197	1/54	
25	0,03	2	002062522	002062727	-	002062122	197	1/54	
40	0,03	2	002062523	002062728	-	002062123	197	1/54	
63	0,03	2	002062524	002062729	-	002062124	206	1/54	
80	0,03	2	002062525	-	-	002062125	208	1/54	
100	0,03	2	002062530	-	-	002062531	244	1/54	
16	0,1	2	002063521	-	-	002063121	193	1/54	
25	0,1	2	002063522	002063727	002063732	002063122	193	1/54	
40	0,1	2	002063523	002063728	002063733	002063123	193	1/54	
63	0,1	2	002063524	002063729	002063734	002063124	196	1/54	
80	0,1	2	002063525	-	-	002063125	198	1/54	
100	0,1	2	002062532	-	-	002062533	230	1/54	
16	0,3	2	002064521	-	-	002064121	198	1/54	
25	0,3	2	002064522	002064727	002064732	002064122	198	1/54	
40	0,3	2	002064523	002064728	002064733	002064123	198	1/54	
63	0,3	2	002064524	002064729	002064734	002064124	204	1/54	
80	0,3	2	002064525	-	-	002064125	208	1/54	
100	0,3	2	002062534	-	-	002062535	230	1/54	
16	0,5	2	002065521	-	-	002065121	198	1/54	
25	0,5	2	002065522	-	-	002065122	198	1/54	
40	0,5	2	002065523	-	-	002065123	198	1/54	
63	0,5	2	002065524	-	-	002065124	204	1/54	
80	0,5	2	002065525	-	-	002065125	208	1/54	

A and AC type residual current circuit breaker EFI-4

Rated residual current
0,03 - 0,5 A

Rated current
16 - 80 A

Type
A, AC



16 - 80 A



100 A

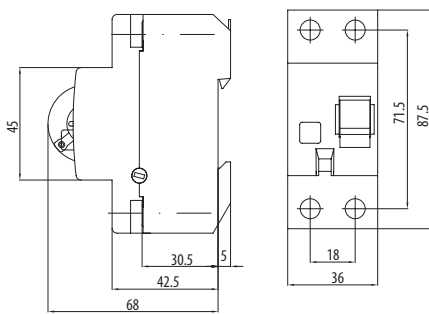
EFI-4 Type A, EFI-4 Type AC

I _n [A]	I _{Δn} [A]	Number of poles	Code No. A			Code No. AC		Weight [g]	Packaging [pcs]
			Instantaneous	G/KV-Short time delay	S-Selective	Instantaneous			
16	0,03	4	002062541	-	-	002062141	328	1/27	
25	0,03	4	002062542	002062747	-	002062142	328	1/27	
40	0,03	4	002062543	002062748	-	002062143	328	1/27	
63	0,03	4	002062544	002062749	-	002062144	350	1/27	
80	0,03	4	002062545	-	-	002062145	385	1/27	
100	0,03	4	002062150	-	-	002062151	407	1/27	
16	0,1	4	002063541	-	-	002063141	320	1/27	
25	0,1	4	002063542	002063747	002063752	002063142	320	1/27	
40	0,1	4	002063543	002063748	002063753	002063143	320	1/27	
63	0,1	4	002063544	002063749	002063754	002063144	338	1/27	
80	0,1	4	002063545	-	-	002063145	380	1/27	
100	0,1	4	002062152	-	-	002062153	407	1/27	
16	0,3	4	002064541	-	-	002064141	320	1/27	
25	0,3	4	002064542	002064747	002064752	002064142	320	1/27	
40	0,3	4	002064543	002064748	002064753	002064143	320	1/27	
63	0,3	4	002064544	002064749	002064754	002064144	338	1/27	
80	0,3	4	002064545	-	-	002064145	380	1/27	
100	0,3	4	002062154	-	-	002062155	372	1/27	
16	0,5	4	002065541	-	-	002065141	320	1/27	
25	0,5	4	002065542	-	-	002065142	320	1/27	
40	0,5	4	002065543	-	-	002065143	320	1/27	
63	0,5	4	002065544	-	-	002065144	338	1/27	
80	0,5	4	002065545	-	-	002065145	380	1/27	

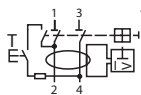
* Version with N-pole on the left side is also available.

Residual current circuit breaker EFI-2

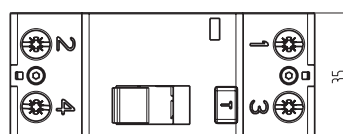
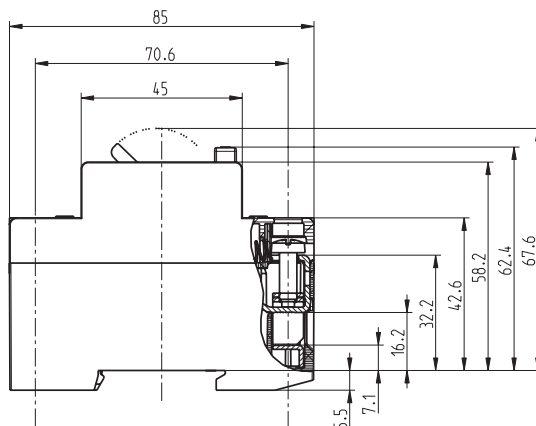
Technical data			
Type	Instantenous	G/KV type	S type
Electrical			
Rated voltage U_n	230/240V AC	230/240V AC	230/240V AC
Rated current I_n	16, 25, 40, 63, 80, 100A	25, 40, 63A	25, 40, 63A
Rated Insulation voltage U_i	440V	440V	440V
Rated frequency f_n	50/60Hz	50/60Hz	50/60Hz
Peak withstand current	-	3kA (8/20ms) surge current proof	5kA (8/20ms) surge current proof
Electrical isolation	> 4mm contact space	> 4mm contact space	> 4mm contact space
Rated residual operating current $I_{\Delta n}$	0,03; 0,1 & 0,3A	0,03; 0,1 & 0,3A	0,1 & 0,3A
Rated conditional short-circuit current I_{cn}	10kA	10kA	10kA
Rated making and breaking capacity I_m	800A	630A	630A
Maximum back-up fuse	100A gG	80A gG	80A gG
Isolation class	B	B	B
Standard	IEC/EN 61008	IEC/EN 61008, OVE E 8601	IEC/EN 61008
Mechanical endurance (op. c.)	> 4000	> 4000	> 4000
Electrical endurance (op. c.)	> 2000	> 2000	> 2000
Mechanical			
Frame size	45mm	45mm	45mm
Device height	68mm (DIN rail acc to EN60715)	68mm (DIN rail acc to EN60715)	68mm (DIN rail acc to EN60715)
Device width	36mm (2 x Module units 18mm)	36mm (2 x Module units 18mm)	36mm (2 x Module units 18mm)
Degree of protection	IP20	IP20	IP20
Upper and lower terminals	open mounted/lift terminals	open mounted/lift terminals	open mounted/lift terminals
Terminal capacity	1-25mm ²	1-25mm ²	1-25mm ²
Terminal screw	M5 (Pozidrive PZ2)	M5 (Pozidrive PZ2)	M5 (Pozidrive PZ2)
Terminal torque	2-2,5Nm	2-2,5Nm	2-2,5Nm
Busbar thickness	0,8 - 2 mm	0,8 - 2 mm	0,8 - 2 mm
Operating temperature	-25°C ... +55°C	-25°C ... +55°C	-25°C ... +55°C
Storage and transport temperature	-40°C ... +70°C	-40°C ... +70°C	-40°C ... +70°C
Resistance to climatic conditions	IEC/EN 61008	IEC/EN 61008	IEC/EN 61008
Resistance to vibrations acc. to IEC 60068-2-7	5g (10,60 & 500Hz)	5g (10,60 & 500Hz)	5g (10,60 & 500Hz)
Contact position indicator	mechanical red/green	mechanical red/green	mechanical red/green
Supply possibility	Top or bottom	Top or bottom	Top or bottom
Mounting position	any	any	any



EFI-2 16-80 A



EFI-2 100 A



EFI-2 100 A