

## MCBs - Miniature circuit breakers ETIMAT P

### Advantages of miniature circuit breakers ETIMAT P

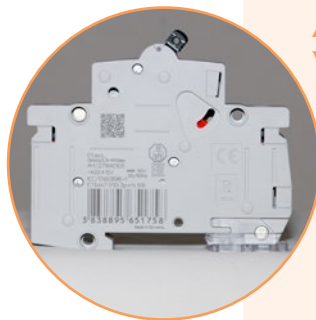
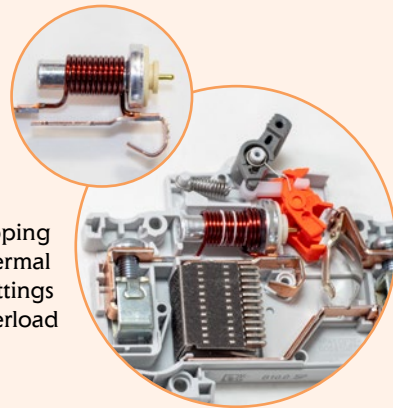


#### TESTED AND PROVEN QUALITY OF EACH MCB PRODUCED EXACT TRACEABILITY AND HIGHEST QUALITY CONTROL

- Fully automated assembly line with 17 different tests and measurements during assembly process to ensure best functionality of each finished product
- All important components are marked with a DMC code, containing individual test results and thus ensuring exact traceability and highest quality control of every MCB

#### UNIQUE TECHNOLOGY FOR PRECISE OVERLOAD TRIPPING THROUGH THE ENTIRE LIFE CYCLE

While other MCBs on the market are adjusted to the desired tripping characteristic afterwards, ETIMAT P uses a new integrated thermal release, preventing both manual tampering of overload settings and material deterioration, ensuring a precise and reliable overload tripping through the entire life cycle of the MCB.



#### ALL REQUIRED DATA READILY AVAILABLE WITH A SINGLE QR CODE SCAN

- Every product has a QR code with a link to the product webpage with all relevant information, instruction manuals and other technical materials.
- All important technical data is printed on the front and side of the MCB
- Every product is marked with EAN code

#### SUPERIOR TECHNICAL FEATURES

- reduced power dissipation
- high electrical endurance: 20.000 operation cycles
- operation in DC circuits with voltage up to 60V DC/pole
- construction solutions protected by two European patents



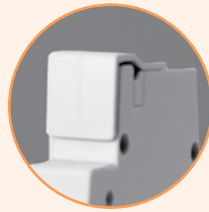
#### SPECIAL VERSIONS TOGGLE POSITION INDICATES TRIPPING LESS ROOM FOR USER ERROR

- Reset version:  
In case of overcurrent, the button moves to the "trip" (middle) position. In case of manual turn off, the button moves to the "off" (lowest) position (only ETIMAT P10).

Miniature circuit breakers

**WIDE RANGE OF AUXILIARY DEVICES AND ACCESSORIES AND EASE OF INSTALLATION**

→ possibility of mounting up to 3 auxiliary / signal switches



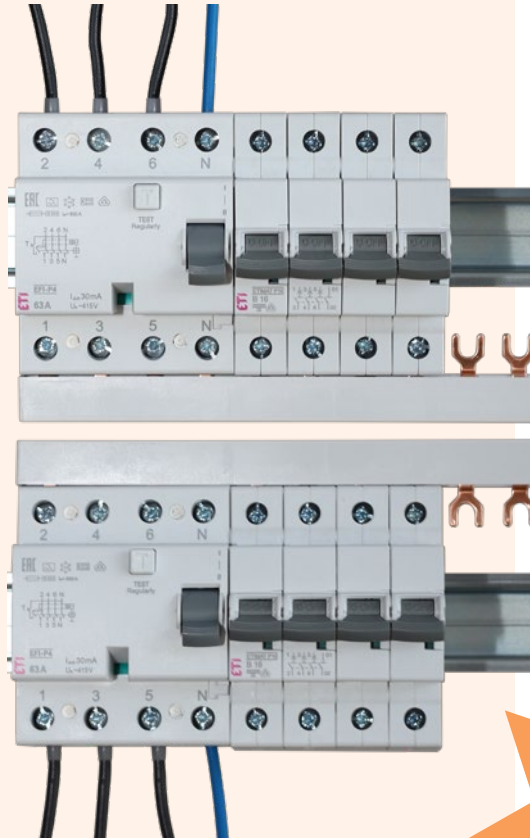
→ Terminal cover



→ Locking device



→ Double connection possibility - all MCBs can be simultaneously connected to busbar and conductor, both from above and below



→ supply possibility from top or bottom

→ possibility to connect wires to terminals up to 25 mm<sup>2</sup>

→ same profile as our other modular devices resulting in a coordinated and streamlined look to the installation



**ATTENTION TO DETAILS**

→ Trip-free mechanism ensures that MCB trips even if the toggle is held in ON position

→ Separate indication of contacts' real state (independent of the toggle position) ensures additional user safety

→ green flag: contacts open, red flag: contacts closed

→ Better protection of terminals against touching the parts under voltage



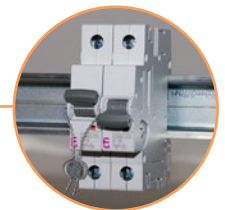
→ Sturdy pins on 4-module devices



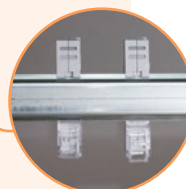
→ "ON/OFF" mark on the switch button



→ Possibility of sealing in "ON" or "OFF" position



→ Space for labeling



→ NO WOBBLE™ technology new snapping unit enables easy, firm and secure DIN-rail mounting and replacement

# Miniature circuit breaker ETIMAT P6

2023

Rated short-circuit capacity  
**6 kA**

Rated current  
**0,5 - 63 A**

Tripping characteristic  
**B, C, D**



## 1-pole

$I_n$ [A]	$U_n$ [V]	Code No. B	Code No. C	Code No. D	Packaging [pcs]
0,5	240/415	-	001900021	001900041	12/108
1	240/415	001900002	001900022	001900042	12/108
1,6	240/415	001900003	001900023	001900043	12/108
2	240/415	001900004	001900024	001900044	12/108
3	240/415	001900005	001900025	001900045	12/108
4	240/415	001900006	001900026	001900046	12/108
6	240/415	001900007	001900027	001900047	12/108
10	240/415	001900008	001900028	001900048	12/108
13	240/415	001900009	001900029	001900049	12/108
16	240/415	001900010	001900030	001900050	12/108
20	240/415	001900011	001900031	001900051	12/108
25	240/415	001900012	001900032	001900052	12/108
32	240/415	001900013	001900033	001900053	12/108
40	240/415	001900014	001900034	001900054	12/108
50	240/415	001900015	001900035	001900055	12/108
63	240/415	001900016	001900036	-	12/108

## 1-pole + N

$I_n$ [A]	$U_n$ [V]	Code No. B	Code No. C	Code No. D	Packaging [pcs]
0,5	240	-	001900121	001900141	6/54
1	240	001900102	001900122	001900142	6/54
1,6	240	001900103	001900123	001900143	6/54
2	240	001900104	001900124	001900144	6/54
3	240	001900105	001900125	001900145	6/54
4	240	001900106	001900126	001900146	6/54
6	240	001900107	001900127	001900147	6/54
10	240	001900108	001900128	001900148	6/54
13	240	001900109	001900129	001900149	6/54
16	240	001900110	001900130	001900150	6/54
20	240	001900111	001900131	001900151	6/54
25	240	001900112	001900132	001900152	6/54
32	240	001900113	001900133	001900153	6/54
40	240	001900114	001900134	001900154	6/54
50	240	001900115	001900135	001900155	6/54
63	240	001900116	001900136	-	6/54



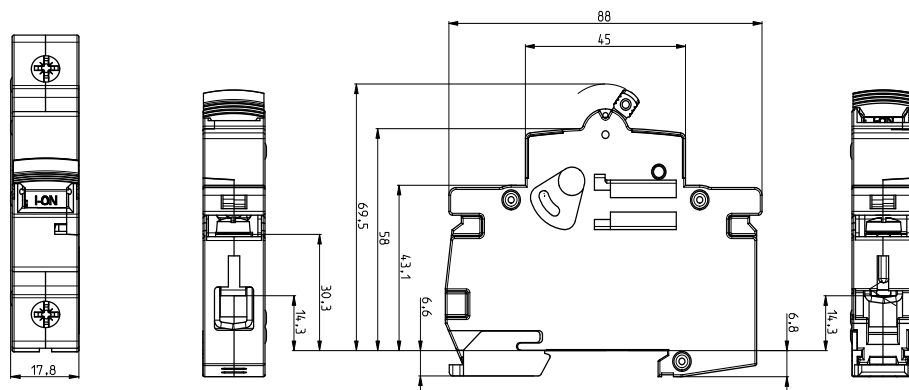
## 2-pole

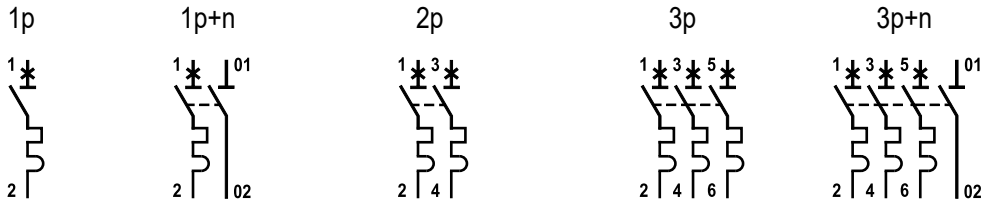
$I_n$ [A]	$U_n$ [V]	Code No. B	Code No. C	Code No. D	Packaging [pcs]
0,5	415	-	001900221	001900241	6/54
1	415	001900202	001900222	001900242	6/54
1,6	415	001900203	001900223	001900243	6/54
2	415	001900204	001900224	001900244	6/54
3	415	001900205	001900225	001900245	6/54
4	415	001900206	001900226	001900246	6/54
6	415	001900207	001900227	001900247	6/54
10	415	001900208	001900228	001900248	6/54
13	415	001900209	001900229	001900249	6/54
16	415	001900210	001900230	001900250	6/54
20	415	001900211	001900231	001900251	6/54
25	415	001900212	001900232	001900252	6/54
32	415	001900213	001900233	001900253	6/54
40	415	001900214	001900234	001900254	6/54
50	415	001900215	001900235	001900255	6/54
63	415	001900216	001900236	-	6/54



## Miniature circuit breaker ETIMAT P6

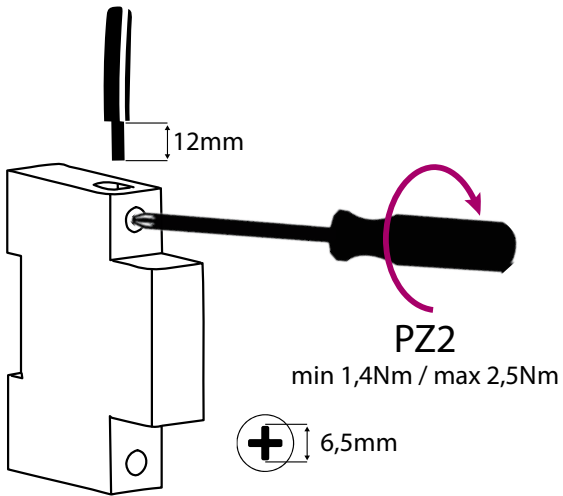
Technical data	
Rated voltage	240/415V AC; max 60V DC/pol
Min. operating voltage	12V AC/DC
Max operating voltage	250/440V AC
Rated current	0,5-63A
Rated frequency	50/60Hz
Rated insulation voltage	500V
Rated impulse withstand voltage	6kV (acc. to 60947-2)
Shock resistance	30g, min 2 shocks, t=13ms
Rated short-circuit capacity	6 kA
Energy limiting class	3; B,C
Tripping characteristic	B, C, D
Back-up fuse	100A gG
Index of protection	IP 20 (IP 40)
Terminals	1-25mm <sup>2</sup> , min 1,4Nm / max 2,5Nm
Terminal screw	M5 (Pozidrive PZ2)
Mechanical endurance	20.000 op. cycles
Electrical endurance	20.000 op. cycles
Ambient temperature	max -40°C ... +70°C
Storage temperature	max -60°C ... +70°C
Supply possibility	top or bottom
Build-in width	18mm/pol
Insulating class	B
Overvoltage category	III
Pollution degree	2
Mounting on the rail	EN 60715
Mounting position	any
Sealing possibility	✓
Terminal cover	✓
Contact position indicator	✓
Locking device	✓
Resistance to vibrations acc. to IEC 60068-2-7	5g (10,60 & 500Hz)
Standards	IEC/EN 60898-1, IEC 60947-2





**Tripping characteristics**

Characteristic	Test current	Tripping time	Result
B, C, D	1,13 I <sub>n</sub>	t ≥ 3600 s	No tripping
B, C, D	1,45 I <sub>n</sub>	t < 3600 s	Tripping
B, C, D	2,55 I <sub>n</sub>	1s < t < 60 s	Tripping
B	3,00 I <sub>n</sub>	t ≤ 0,1 s	No tripping
C	5,00 I <sub>n</sub>	t ≤ 0,1 s	No tripping
D	10,00 I <sub>n</sub>	t ≤ 0,1 s	No tripping
B	5,00 I <sub>n</sub>	t < 0,1 s	Tripping
C	10,00 I <sub>n</sub>	t < 0,1 s	Tripping
D	20,00 I <sub>n</sub>	t < 0,1 s	Tripping



Any mounting position

