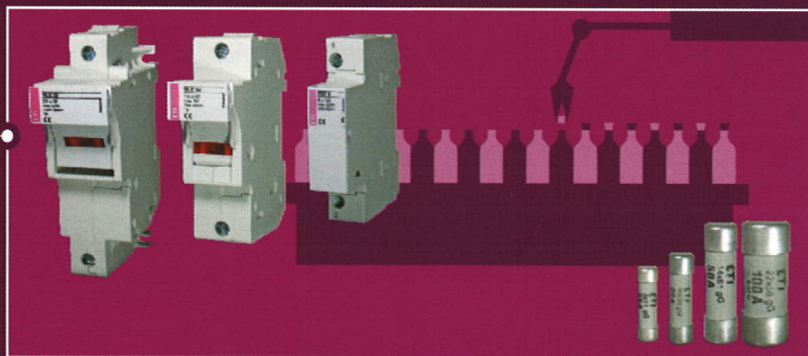


INDUSTRIAL INSTALLATIONS

High-quality protection of installations and devices in industry is ensured by wide selection of fuse-links and circuit breakers. Particularly important is the wide range of NV/NH fuse-links and switchgear combinations, i.e. fuse blocks and switch disconnectors. We also offer MCB's and power circuit breakers ETIBREAK. And not to forget ETICON contactors, plug-in outfit and line-up terminals SPOJ and overvoltage protection devices ETITEC. As well we can not provide solutions without switch disconnectors ETISWITCH and actuators and indicators ETISIG. The products are internationally certified and carry several quality marks.



INDUSTRY

NV/NH horizontal fuse-switch disconnectors KVL for busbar mounting

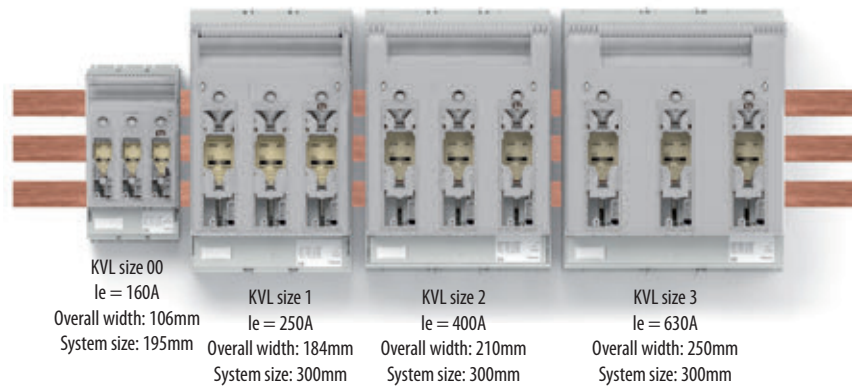
Uniform cover cutout

KVL - horizontal fuse-switch disconnectors with different sizes can be combined together and form uniform cover cutout. The new assortment contains four cover support levels at 32, 60, 70 and 90 mm above the upper of busbar. KVL fuse-switch disconnectors can be mounted on busbars (for baseplates and DIN rails see chapter NV/NH).

- Available with 1- and 3-pole versions
- Four sizes: size 00, size 1, size 2, size 3
- Use with NV/NH Fuse-links 000, 00, 1, 2, 3

Busbar mounting

KVL-00 to KVL-3 can be mounted onto 60mm busbar systems - no drilling required

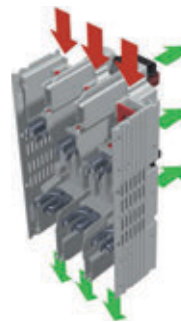


Practical advantages



Uniform cover cutout for all sizes disconnectors

- Changeable installation depth by 4 different field supporting surfaces (32mm, 60mm, 70mm, 90mm)

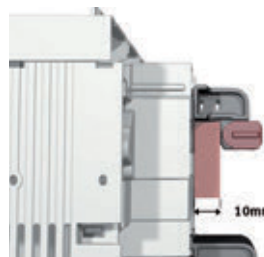


Area-saving

- integrated feeding terminal
- Busbar supply and safe outgoing cable outlet
- Busbar supports up to 20mm width, 19mm height max.

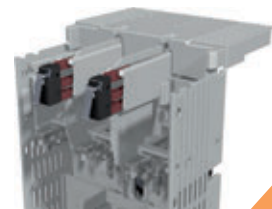
Easy adjustments

- adjustment to 5mm or 10mm thick bars
- simple modification of cable terminal from bottom side to top side

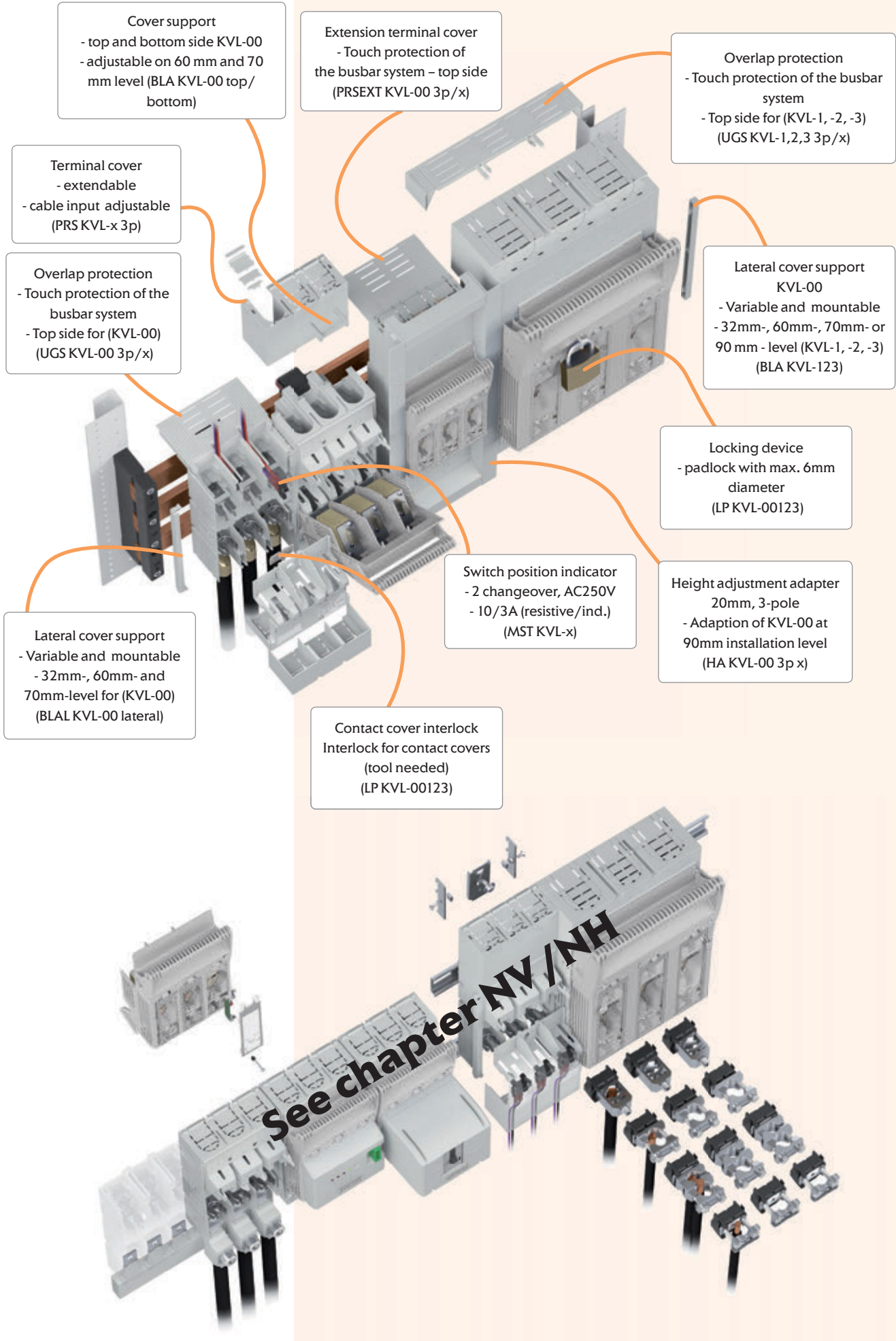


Retrofittable switch position indicator

- Dual monitoring in each unit
- Separate circuits function
- Wide range of applications due to high switching capacity 10/3A (resistive/ind.) AC250V



New generation!



See chapter NV / NH

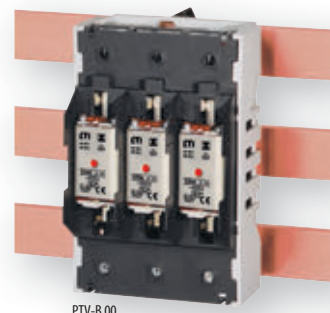
60 mm busbar system

NH fuse bases for 60mm busbar

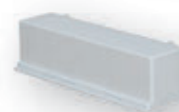
Type	Code No.	Description	Packaging [pcs]
PTV-B 00 3p M8	001696035	NH fuse-base size 00, 3-pole, 5-10mm busbars, fuse-link protection cover, connection top or bottom, M8 connection	1
PTV-B 00 3p F57	001696036	NH fuse-base size 00, 3-pole, 5-10mm busbars, fuse-link protection cover, connection top or bottom, F57 connection	1
PTV-B 1 3p M10 BOTTOM	001696037	NH fuse-base size 1, 3p, 5-10mm busbars, connection BOTTOM	1
PTV-B 1 3p M10 TOP	001696038	NH fuse-base size 1, 3p, 5-10mm busbars, connection TOP	1
PTV-B 2 3p M10 BOTTOM	001696039	NH fuse-base size 2, 3p, 5-10mm busbars, connection BOTTOM	1
PTV-B 2 3p M10 TOP	001696040	NH fuse-base size 2, 3p, 5-10mm busbars, connection TOP	1
PRS 00 B TOP 195	001696123	Protective cover, 3-pole, size 00, TOP, short (bottom to top length 195mm)	1
PRS 00 B BOTTOM 195	001696124	Protective cover, 3-pole, size 00, BOTTOM, short (bottom to top length 195mm)	1
PRS 00 B TOP 230	001696125	Protective cover, 3-pole, size 00, TOP, wide (bottom to top length 230mm)	1
PRS 00 B BOTTOM 230	001696126	Protective cover, 3-pole, size 00, BOTTOM, wide (bottom to top length 230mm)	1
PRS 1 B TOP	001696127	Protective cover, 3-pole, size 1, TOP	1
PRS 1 B BOTTOM	001696128	Protective cover, 3-pole, size 1, BOTTOM	1
PRS 2 B TOP	001696129	Protective cover, 3-pole, size 2, TOP	1
PRS 2 B BOTTOM	001696130	Protective cover, 3-pole, size 2, BOTTOM	1
H-PTV-B 00	001696131	Protection cover for fuse in fuse base PTV-B 00	3

Device adapters for 60 mm busbar

Type	Code No.	Description	Packaging [pcs]
DA-60/25/45/1	001696080	Device adapter with 1 mounting rail, 3-pole, 45mm width, 25A	1
DA-60/32/54/1	001696081	Device adapter with 1 mounting rail, 3-pole, 54mm width, 32A	1
DA-60/32/63/1	001696082	Device adapter with 1 mounting rail, 3-pole, 63mm width, 32A	1
DA-60/32/72/1	001696083	Device adapter with 1 mounting rail, 3-pole, 72mm width, 32A	1
DA-60/63/54/1	001696084	Device adapter with 1 mounting rail, 3-pole, 54mm width, 63A	1
DA-60/63/63/1	001696085	Device adapter with 1 mounting rail, 3-pole, 63mm width, 63A	1
DA-60/63/72/1	001696086	Device adapter with 1 mounting rail, 3-pole, 72mm width, 63A	1
DA-60/25/45/2	001696087	Device adapter with 2 mounting rails, 3-pole, 45mm width, 25A	1
DA-60/32/108/2	001696088	Device adapter with 2 mounting rails, 3-pole, 108mm width, 32A	1
DA-60/32/54/2	001696089	Device adapter with 2 mounting rails, 3-pole, 54mm width, 32A	1
DA-60/32/72/2	001696090	Device adapter with 2 mounting rails, 3-pole, 72mm width, 32A	1
DA-60/32/81/2	001696091	Device adapter with 2 mounting rails, 3-pole, 81mm width, 32A	1
DA-60/63/108/2	001696092	Device adapter with 2 mounting rails, 3-pole, 108mm width, 32A	1
DA-60/63/54/2	001696093	Device adapter with 2 mounting rails, 3-pole, 54mm width, 63A	1
DA-60/63/81/2	001696094	Device adapter with 2 mounting rails, 3-pole, 81mm width, 63A	1
MR-DA/45/7,5	001696098	Mounting rail for adapter 45mm width, 35mm rail	10
MR-DA/54/7,5	001696099	Mounting rail for adapter 54mm width, 35mm rail	10
MR-DA/63/7,5	001696100	Mounting rail for adapter 63mm width, 35mm rail	10
MR-DA/72/7,5	001696101	Mounting rail for adapter 72mm width, 35mm rail	10
MR-DA/81/7,5	001696102	Mounting rail for adapter 81mm width, 35mm rail	10
MR-DA/90/7,5	001696103	Mounting rail for adapter 90mm width, 35mm rail	10
CP-DA	001696104	Connecting piece	100
WC-DA	001696105	Width compensation (9mm)	10
AMR-DA/45	001696109	Adapter module 45mm width (segment to lengthen adapter)	1
AMR-DA/54	001696110	Adapter module 54mm width (segment to lengthen adapter)	1
HA5	001696111	Compensation piece for busbar thickness (to adapt busbar components to fit 10mm or 5mm busbar thickness)	100
DA-60/250/3/FE-5	001696162	Adapter for MCCB - ETIBREAK EB2 250 and EB2S 250	1
DA-60/250/4/FE-5	001696163	Adapter for MCCB - ETIBREAK EB2 250 and EB2S 250	1



PTV-B 00 ...



PRS ... B 195



H-PTV-B 00



PRS ... B 230



DA-60 ... /2



DA-60 ... /1



MR-DA ... /7,5



CP-DA



WC-DA



MR-DA



AMR-DA

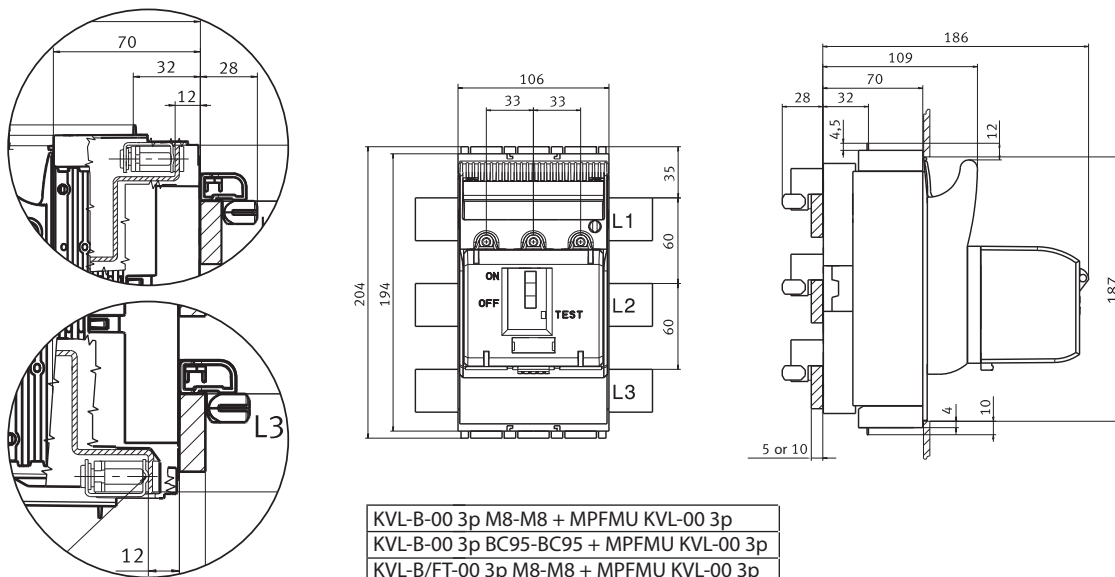


MCCB adapter



HA5

Technical data

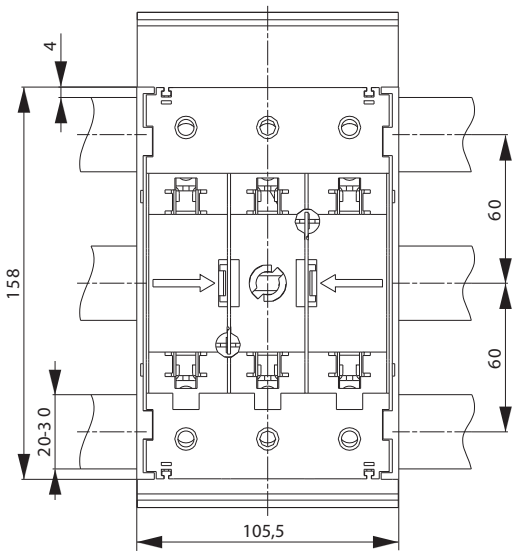


KVL-B-00 3p M8-M8 + MPF MU KVL-00 3p
 KVL-B-00 3p BC95-BC95 + MPF MU KVL-00 3p
 KVL-B/FT-00 3p M8-M8 + MPF MU KVL-00 3p

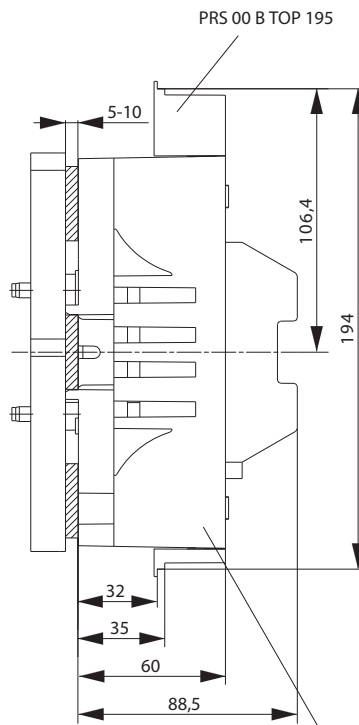
Technical data (in accordance with EN 60269-1, EN 60269-2-2)

Technical Specifications			PTV-B 00 3p	PTV-B 1 3p	PTV-B 2 3p
Electrical characteristics					
Rated operating voltage	Ue	V	690 AC	690 AC	690 AC
Rated operating current	Ie	A	160	250	400
Conv. thermal current with fuse links	Ith	A	160	250	400
Conv. thermal current with solid links	Ith	A	210	325	520
Rated frequency	–	Hz	40-60	40-60	40-60
Fuse links					
Size in according to DIN 43620	–	–	00	1	2
Max. rated current (gl/gG)	In	A	160	250	400
Max permissible power dissipation (without fuse)	Pv	W	12	23	45
Busbar spacing (only 3-pole)	–	mm	40/50/60	60	60
Cable connection					
Flat terminal	Bolt diameter	–	M8	M10	M10
	Cable lug (DIN 46235)	–	mm ² 1 x 10-95 (max. 25mm width)	25-150	25-240
	Flat bar	–	mm 20 x 10	30 x 10	30x10
	Tightening torque	Ma	Nm 12-15	30-35	30-35
Clamp	Clamping range	–	mm ² 500	S1 1,5-70	S2 25-240
	Tightening torque	Ma	Nm 26	95	23
Clamp	Clamping range	–	mm ² P00-70	P1 10-70	P2 70-150
	Tightening torque	Ma	Nm 26	45	11
Clamp	Clamping range	–	mm ² F57	P12 1,5-70	P22 2 x 70-95
	Tightening torque	Ma	Nm 26	40	2x120-150
Clamp	Clamping range	–	mm ² –	K2G 35-185	K2G 35-185
	Tightening torque	Ma	Nm –	40	40
Degree of protection - Frontside - Operating state			IP00		
Operating conditions					
Ambient temperature 1)	Tu	°C	-25 ... +55		
Delovno stanje	–	–	Uninterrupted duty		
Vgradni položaj	–	–	Vertical, horizontal		
Altitude	–	m	< 2000		
Pollution degree	–	–	3		
Overvoltage categorie	–	–	III		

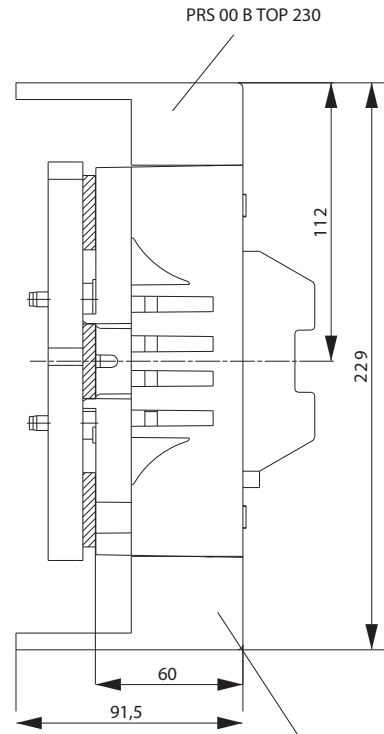
1) 35°C Normal temperature, 55°C with reduced current



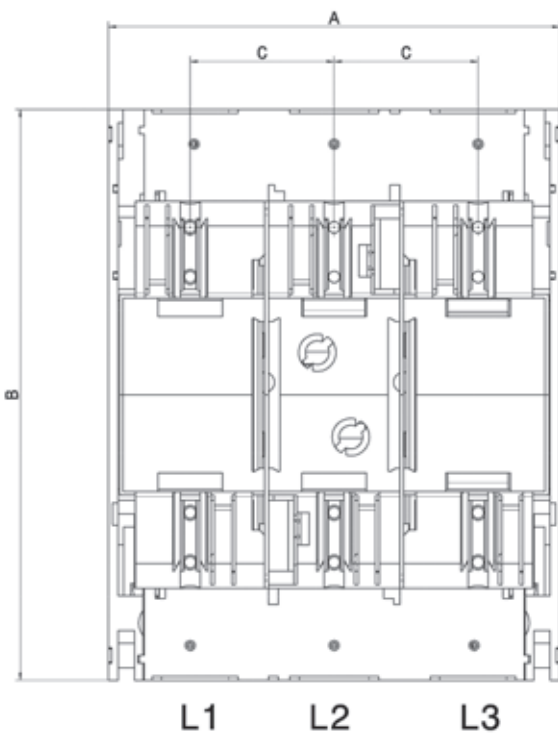
PTV-B 00 3p M8



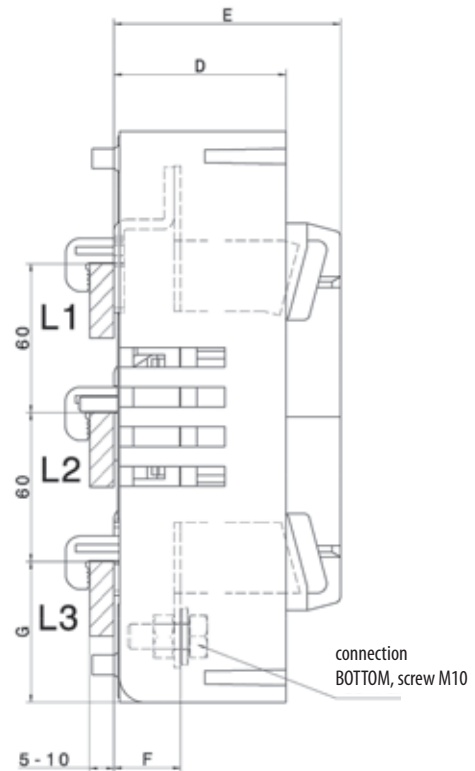
PRS 00 B BOTTOM 195



PRS 00 B BOTTOM 230

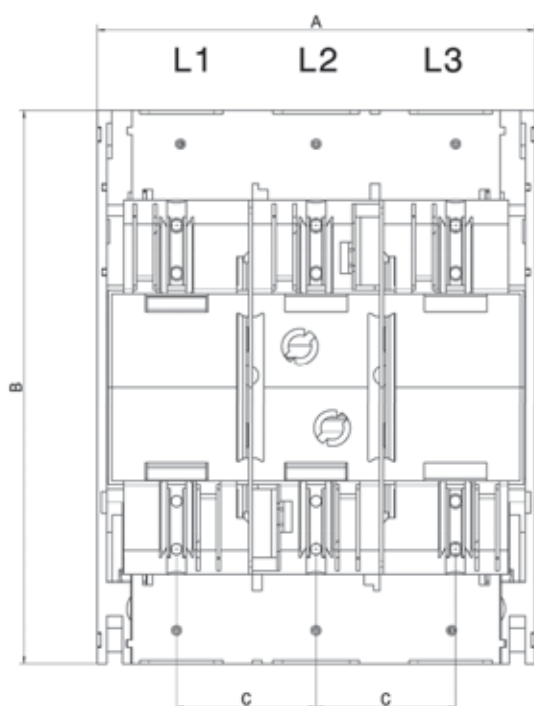


PTV-B 1 3p M10 BOTTOM, PTV-B 2 3p M10 BOTTOM

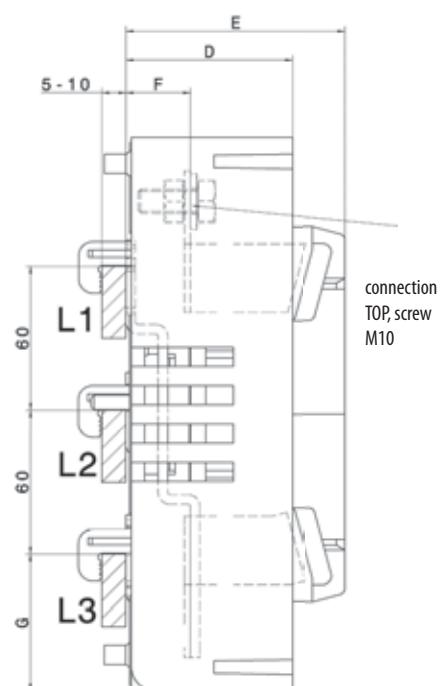


	A	B	C	D	E	F	G
PTV-B 1 3p M10 BOTTOM	184	230	58	69	92	27	57
PTV-B 2 3p M10 BOTTOM	210	256	66	83	101	27	68

Technical data



PTV-B 1 3p M10 TOP, PTV-B 2 3p M10 TOP



	A	B	C	D	E	F	G
PTV-B 1 3p M10 TOP	184	230	58	69	92	27	57
PTV-B 2 3p M10 TOP	210	256	66	83	101	27	68

Technical data (in accordance with EN 60269-1, EN 60269-2-2)

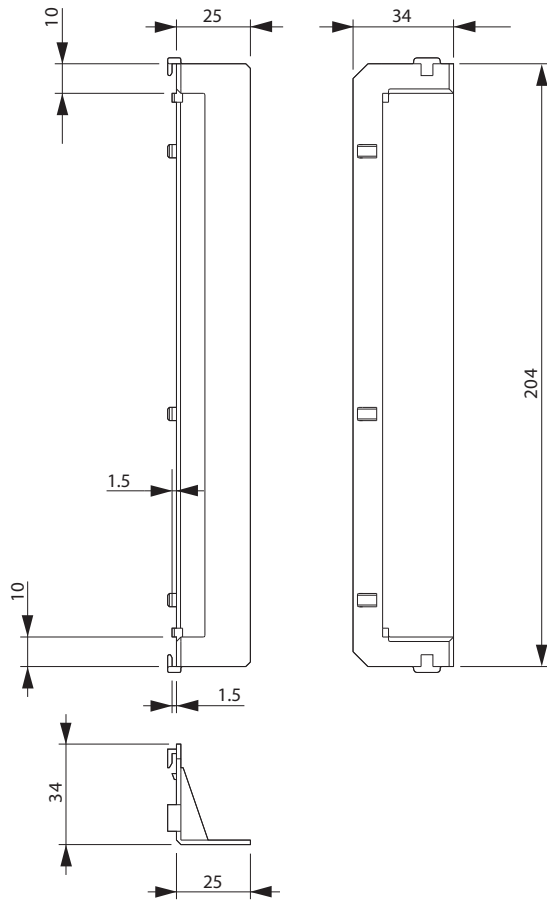
Technical Specifications				HVL-B 000 3p F57 Slim	
Electrical characteristics					
For NH fuse-links acc. to DIN VDE 0636-2	Size	6000			
Rated operational voltage	Ue	V	500 AC, 220 DC		
Rated operational current 1)	Ie	A	125		
Conv. free air thermal current with fuse-links 1)	Ith	A	125		
Conv. free air thermal current with solid-links 1)	Ith	A	160		
Rated frequency	–	Hz	40-60		
Rated insulation voltage	Ui	V	500 AC		
Total power loss at Ith (without fuse-links)	Pv	W	18		
Rated impulse withstand voltage	Uimp	kV	8		
Utilization category	–	–	AC-22B (500V/125A) DC-22B (220V/100A)		
Rated conditional short-circuit current 2)	–	kA	50		
Rated short-time withstand current	Icw	kA	–		
Max. permis. power loss per fuse-link	Pa	W	8		
Cable terminal					
Clamp	Clamping cross-section	–	mm ²	F50	○: 1,5-50 Cu / □: 6 x 9 x 0,8
	Tightening torque	–	Nm		26
Degree of protection Front side	Operating condition				IP20
	Switching element open				IP10
Operating conditions					
Ambient temperature 3)	T	°C	-25 ... +55		
Delovno stanje	–	–	Uninterrupted duty		
Actuation	–	–	Dependent manual operation		
Vgradni položaj	–	–	Vertical, horizontal		
Altitude	–	m	< 2000		
Verschmutzungsgrad/Pollution degree	–	–	3		
Überspannungskategorie/Overvoltage category	–	–	III		

1) In case of mounting of several units in low voltage switchgear-combinations, please consider rated diversity factors acc. to EN 61439-1

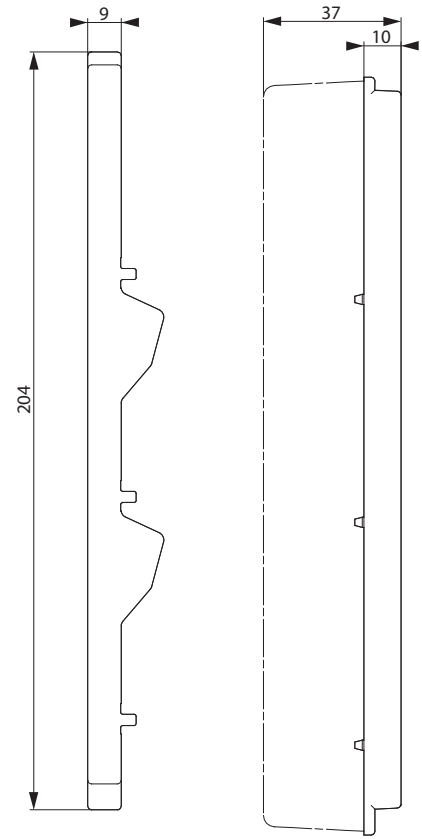
2) Type tested with NH-fuse-links characteristic gG

3) 35°C Normal temperature, at 55°C with reduced operating current

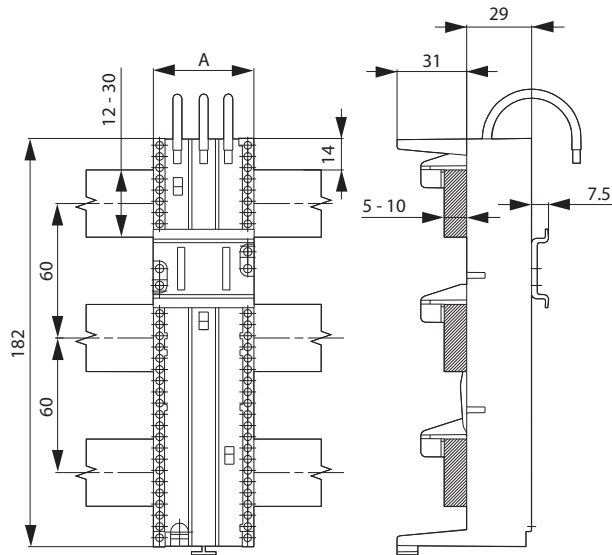
Technical data



RTP-RL/230



PRS-DVL



	A
GA-60/25/45	45
GA-60/32/108	108
GA-60/32/54	54
GA-60/32/63	63
GA-60/32/72	72
GA-60/32/81	81

	A
GA-60/63/108	108
GA-60/63/54	54
GA-60/63/63	63
GA-60/63/72	72
GA-60/63/81	81

DA-60/25/..., DA-60/32/..., DA-60/63/...