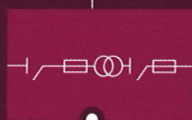
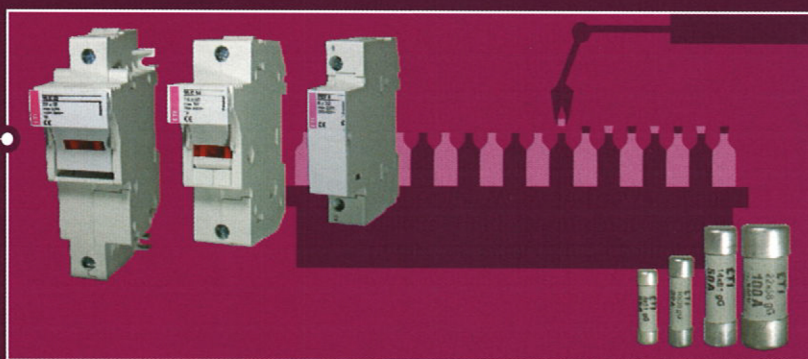


## INDUSTRIAL INSTALLATIONS

High-quality protection of installations and devices in industry is ensured by wide selection of fuse-links and circuit breakers. Particularly important is the wide range of NV/NH fuse-links and switchgear combinations, i.e. fuse blocks and switch disconnectors. We also offer MCB's and power circuit breakers ETIBREAK. And not to forget ETICON contactors, plug-in outfit and line-up terminals SPOJ and overvoltage protection devices ETITEC. As well we can not provide solutions without switch disconnectors ETISWITCH and actuators and indicators ETISIG. The products are internationally certified and carry several quality marks.



INDUSTRY

## NV/NH horizontal fuse-switch disconnectors KVL for busbar mounting

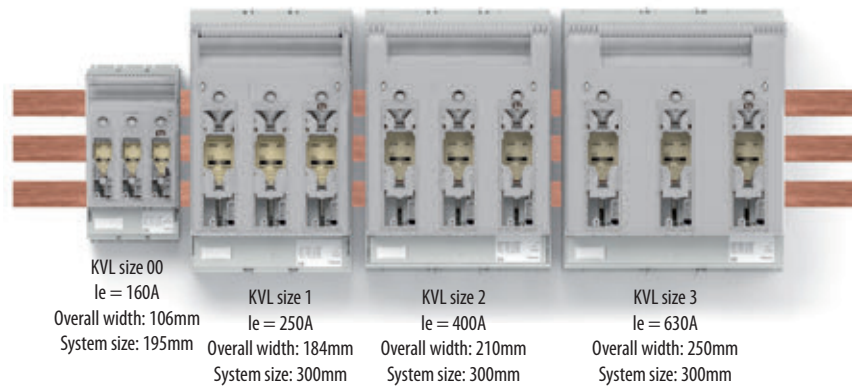
### Uniform cover cutout

KVL - horizontal fuse-switch disconnectors with different sizes can be combined together and form uniform cover cutout. The new assortment contains four cover support levels at 32, 60, 70 and 90 mm above the upper of busbar. KVL fuse-switch disconnectors can be mounted on busbars (for baseplates and DIN rails see chapter NV/NH).

- Available with 1- and 3-pole versions
- Four sizes: size 00, size 1, size 2, size 3
- Use with NV/NH Fuse-links 000, 00, 1, 2, 3

### Busbar mounting

KVL-00 to KVL-3 can be mounted onto 60mm busbar systems - no drilling required

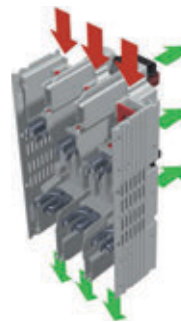


### Practical advantages



#### Uniform cover cutout for all sizes disconnectors

- Changeable installation depth by 4 different field supporting surfaces (32mm, 60mm, 70mm, 90mm)

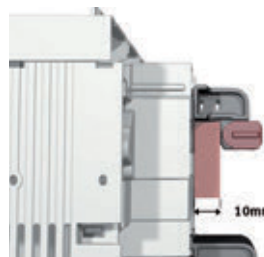


#### Area-saving

- integrated feeding terminal
- Busbar supply and safe outgoing cable outlet
- Busbar supports up to 20mm width, 19mm height max.

#### Easy adjustments

- adjustment to 5mm or 10mm thick bars
- simple modification of cable terminal from bottom side to top side



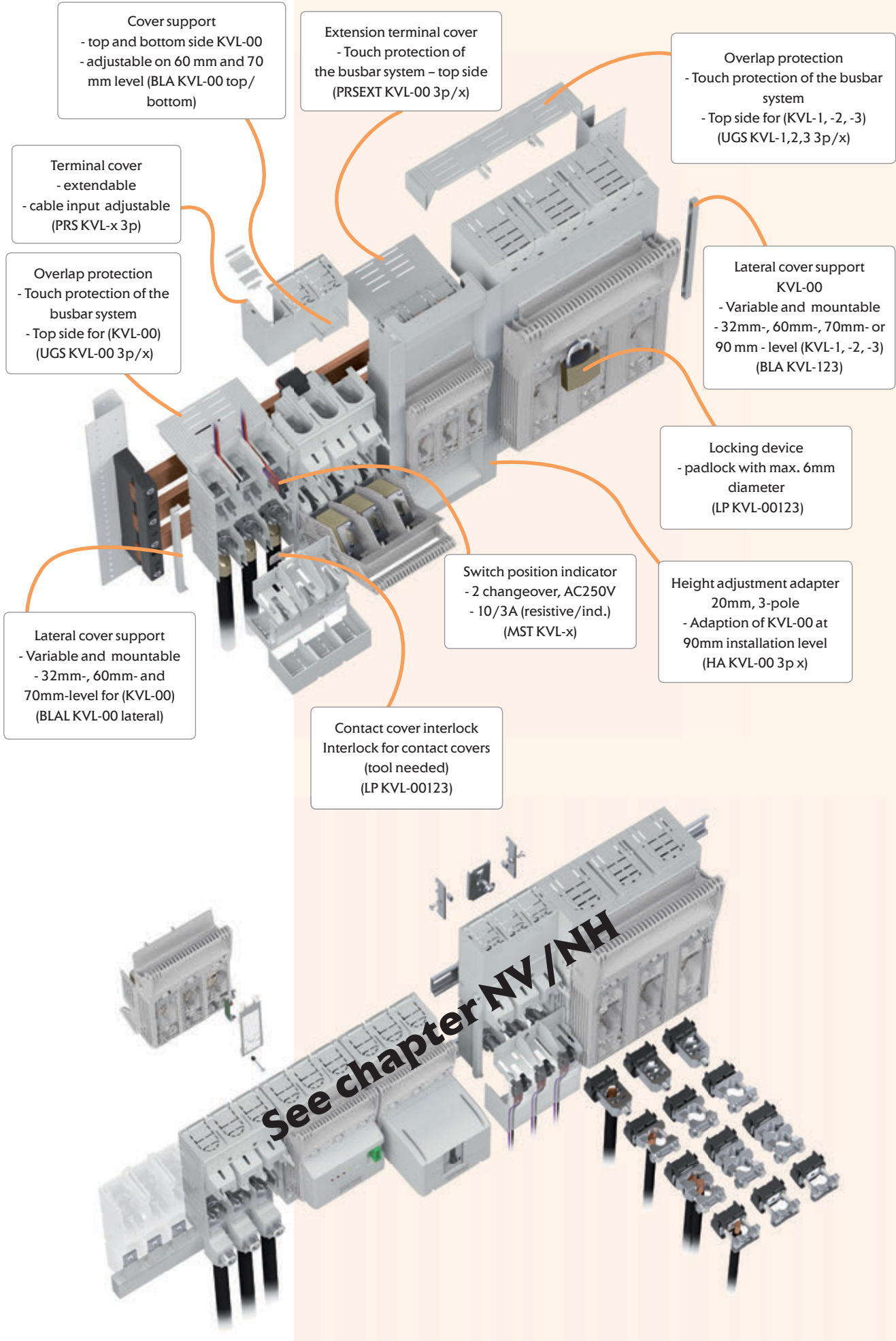
#### Retrofittable switch position indicator

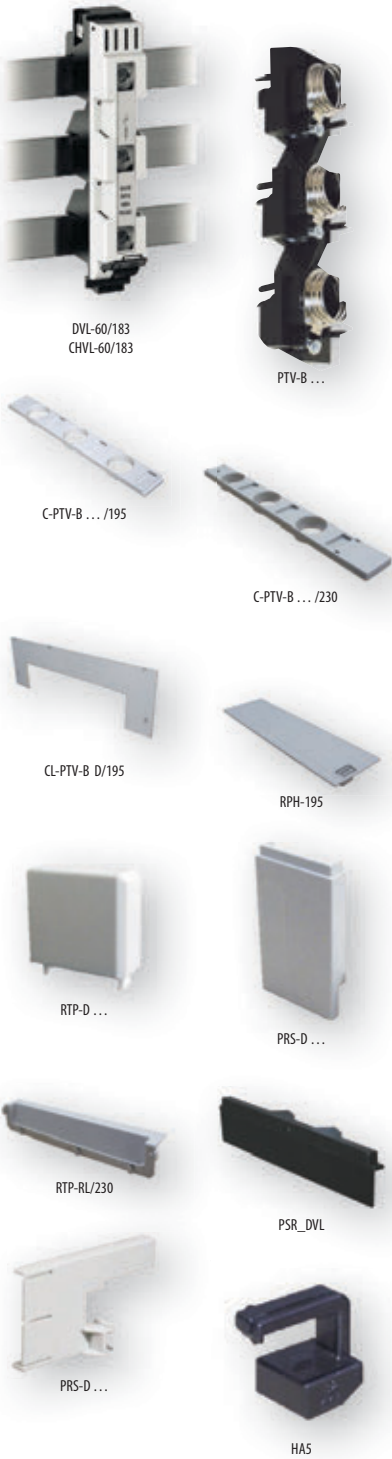
- Dual monitoring in each unit
- Separate circuits function
- Wide range of applications due to high switching capacity 10/3A (resistive/ind.) AC250V



**New generation!**







Note:

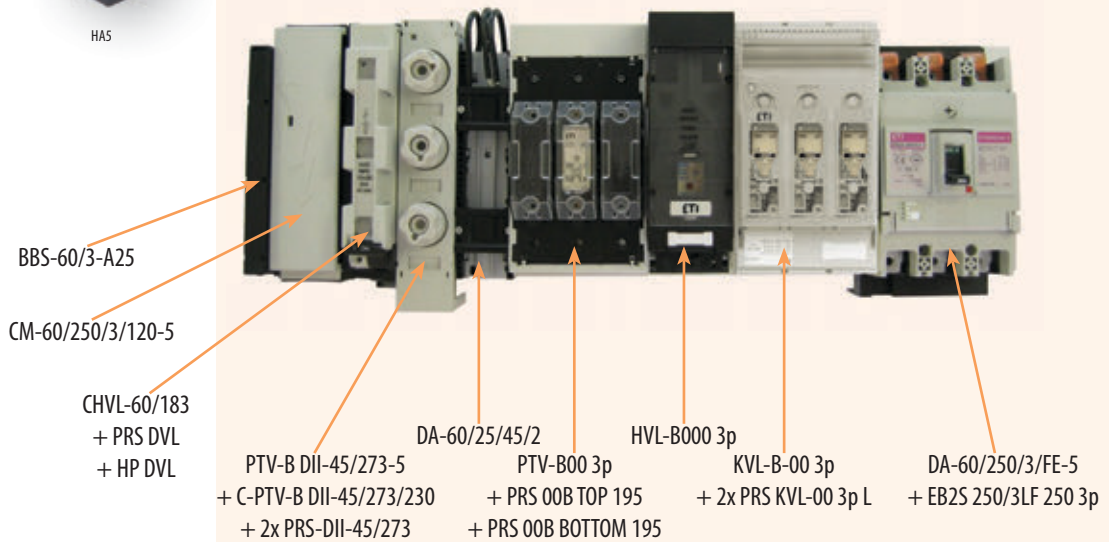
When ordering D-type fuse-bases and fuse-switch disconnectors, please also order fuse carriers and gauge pieces additionally. See D (see page 521) and D0 (see page 539) chapters of the catalogue.

**D fuse-switch disconnecter and fuse bases for 60mm busbar**

Type	Code No.	Description	Packaging [pcs]
DVL-60/183	001696050	Fuse-switch disconnecter for fuses D02	1
CHVL-60/183	001696152	CH-type fuse-switch disconnecter	1
PTV-B D02-27/183-5	001696051	D02-type-fuse-bases 3-pole for adapter sleeve, width 27mm	10
PTV-B DII-45/273-5	001696052	DII-type-fuse-bases 3-pole for adapter sleeve, width 45mm	1
PTV-B DIII-54/333-5	001696053	DIII-type-fuse-bases 3-pole for adapter sleeve, width 54mm	10
PTV-B DII-45/273S-5	001696054	DII type-fuse-bases 3-pole for fitting screw, width 45mm	10
PTV-B DIII-54/333S-5	001696055	DII type-fuse-bases 3-pole for fitting screw, width 54mm	10
C-PTV-B D02-27/183/195	001696056	Protection cover width 27mm, height 195mm	10
C-PTV-B D02-36/183/195	001696057	Protection cover width 36mm, height 195mm	10
C-PTV-B DII-45/273/195	001696058	Protection cover width 45mm, height 195mm	10
C-PTV-B DIII-54/333/195	001696059	Protection cover width 54mm, height 195mm	10
C-PTV-B D02-27/183/230	001696060	Protection cover width 27mm, height 230mm	10
C-PTV-B D02-36/183/230	001696061	Protection cover width 36mm, height 230mm	10
C-PTV-B DII-45/273/230	001696062	Protection cover width 45mm, height 230mm	10
C-PTV-B DIII-54/333/230	001696063	Protection cover width 54mm, height 230mm	10
CL-PTV-B D/195	001696064	Side protection cover width 195 (for C-PTV-B ... /195)	1
CL-PTV-B D/230	001696065	Side protection cover width 230 (za C-PTV-B ... /230)	10
RPH-195	001696066	Protection cover	15
HP-DVL	001696067	Protection cover for DVL and CHVL, TOP/BOTTOM	2
RTP-D02-27/183	001696068	Reach-through protection, face top and bottom, 27mm width	20
RTP-D02-36/183	001696069	Reach-through protection, face top and bottom, 36mm width	20
RTP-DII-45/273	001696070	Reach-through protection, face top and bottom, 45mm width	10
RTP-DIII-54/333	001696071	Reach-through protection, face top and bottom, 54mm width	10
PRS-D02-27/183	001696072	Overreaching protection, face top and bottom, 27mm width	20
PRS-D02-36/183	001696073	Overreaching protection, face top and bottom, 36mm width	20
PRS-DII-45/273	001696074	Overreaching protection, face top and bottom, 45mm width	10
PRS-DIII-54/333	001696075	Overreaching protection, face top and bottom, 54mm width	10
RTP-RL/230	001696076	Reach-through protection lateral right and left	20
PRS-DVL	001696077	D-strips spacer module	10
HAS	001696111	Compensation piece for busbar thickness (to adapt busbar components to fit 10mm or 5mm busbar thickness)	100

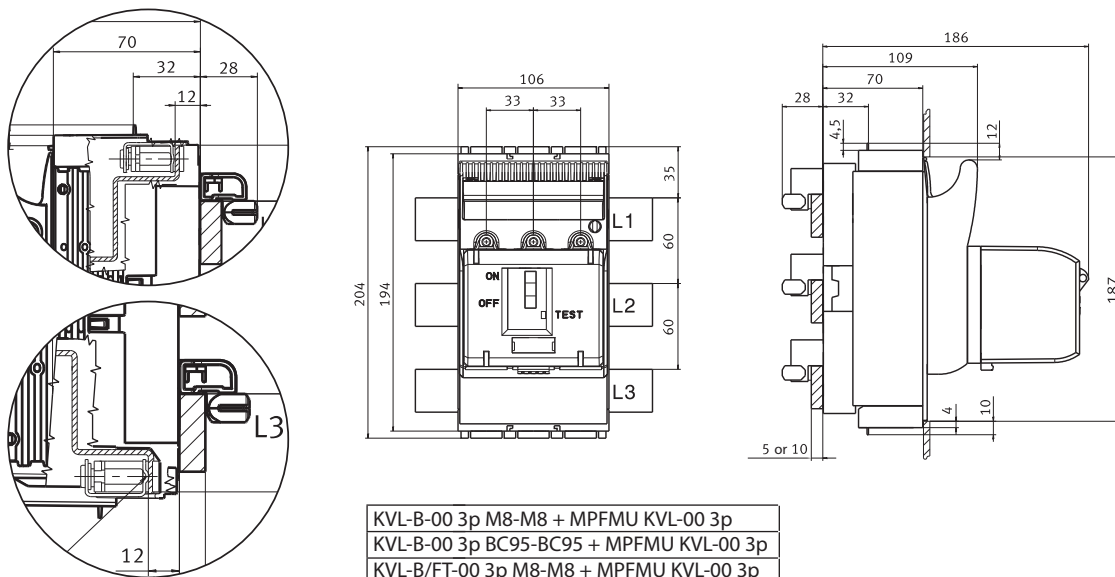
\*HAS is compensation piece which is intent to use for adaptation for example fuse-bases or fuse-switch disconnecter from 10mm busbar thickness to 5mm busbar thickness. Each phase pole needs one compensation piece.

\*\* more information available in technical part of the catalogue





## Technical data

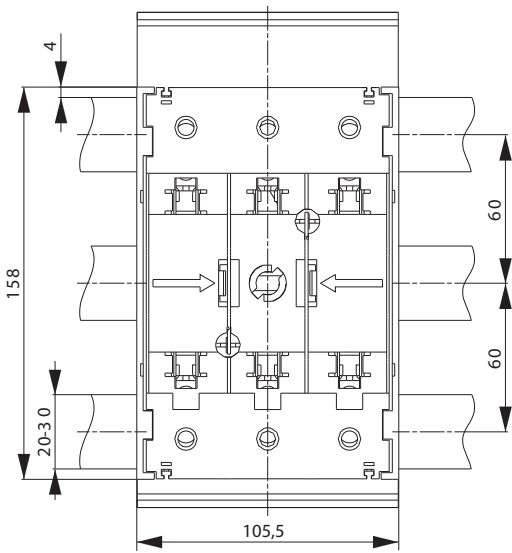


KVL-B-00 3p M8-M8 + MPFMU KVL-00 3p  
 KVL-B-00 3p BC95-BC95 + MPFMU KVL-00 3p  
 KVL-B/FT-00 3p M8-M8 + MPFMU KVL-00 3p

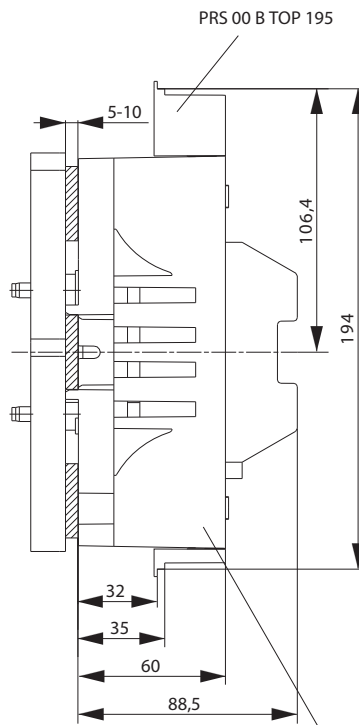
### Technical data (in accordance with EN 60269-1, EN 60269-2-2)

Technical Specifications				PTV-B 00 3p	PTV-B 1 3p	PTV-B 2 3p
<b>Electrical characteristics</b>						
Rated operating voltage	Ue	V	690 AC	690 AC	690 AC	690 AC
Rated operating current	Ie	A	160	250	400	400
Conv. thermal current with fuse links	Ith	A	160	250	400	400
Conv. thermal current with solid links	Ith	A	210	325	520	520
Rated frequency	–	Hz	40-60	40-60	40-60	40-60
<b>Fuse links</b>						
Size in according to DIN 43620	–	–	00	1	2	2
Max. rated current (gl/gG)	In	A	160	250	400	400
Max permissible power dissipation (without fuse)	Pv	W	12	23	45	45
Busbar spacing (only 3-pole)	–	mm	40/50/60	60	60	60
<b>Cable connection</b>						
Flat terminal	Bolt diameter	–	M8	M10	M10	M10
	Cable lug (DIN 46235)	–	mm <sup>2</sup>	1 x 10-95 (max. 25mm width)	25-150	25-240
	Flat bar	–	mm	20 x 10	30 x 10	30x10
	Tightening torque	Ma	Nm	12-15	30-35	30-35
Clamp	Clamping range	–	mm <sup>2</sup>	S00	S1	S2
	Tightening torque	Ma	Nm	1,5-70	26	95
Clamp	Clamping range	–	mm <sup>2</sup>	P00-70	P1	P2
	Tightening torque	Ma	Nm	10-70	26	45
Clamp	Clamping range	–	mm <sup>2</sup>	F57	P12	P22
	Tightening torque	Ma	Nm	1,5-70	26	40
Clamp	Clamping range	–	mm <sup>2</sup>	–	K2G	K2G
	Tightening torque	Ma	Nm	–	40	40
Degree of protection - Frontside - Operating state				IP00		
<b>Operating conditions</b>						
Ambient temperature 1)	Tu	°C	–25 ... +55	–25 ... +55		
Delovno stanje	–	–	Uninterrupted duty	Uninterrupted duty		
Vgradni položaj	–	–	Vertical, horizontal	Vertical, horizontal		
Altitude	–	m	< 2000	< 2000		
Pollution degree	–	–	3	3		
Overvoltage categorie	–	–	III	III		

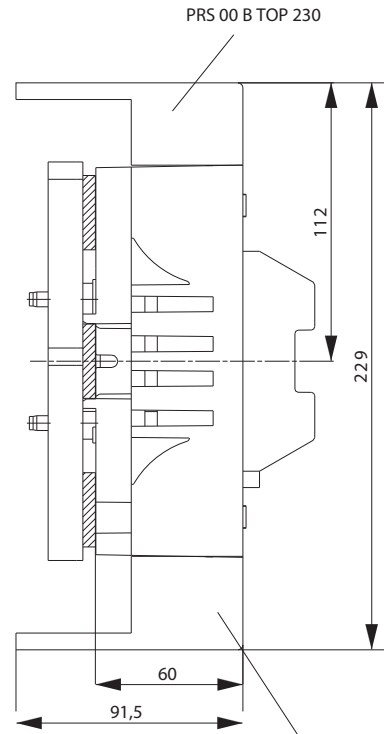
1) 35°C Normal temperature, 55°C with reduced current



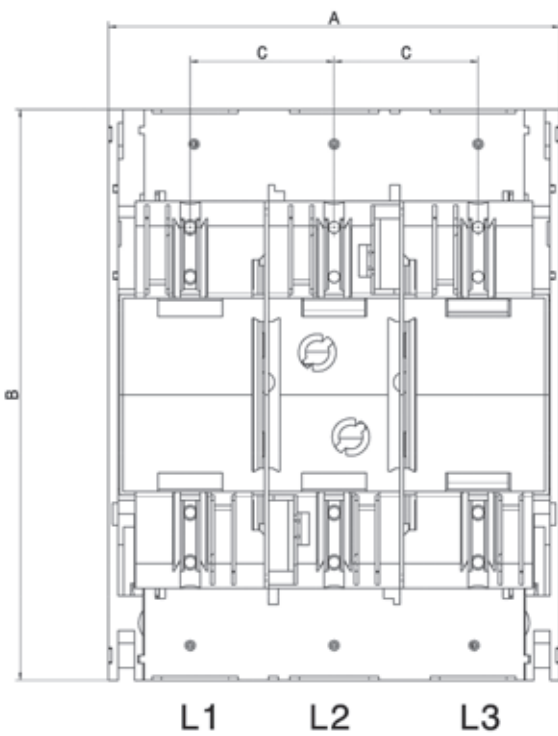
PTV-B 00 3p M8



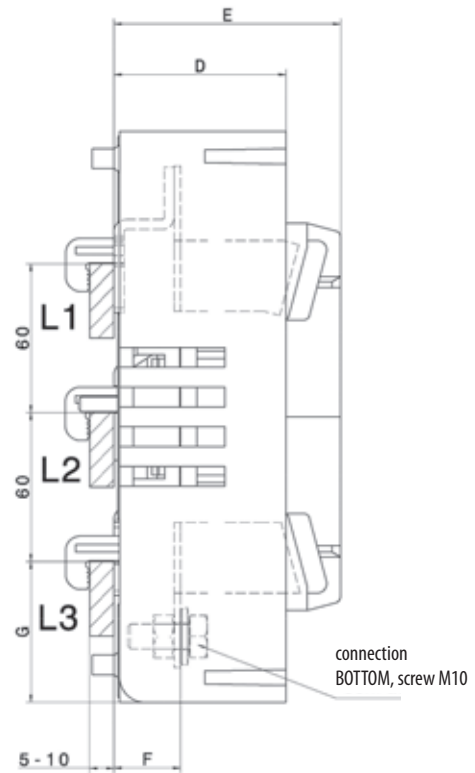
PRV 00 B BOTTOM 195



PRV 00 B BOTTOM 230



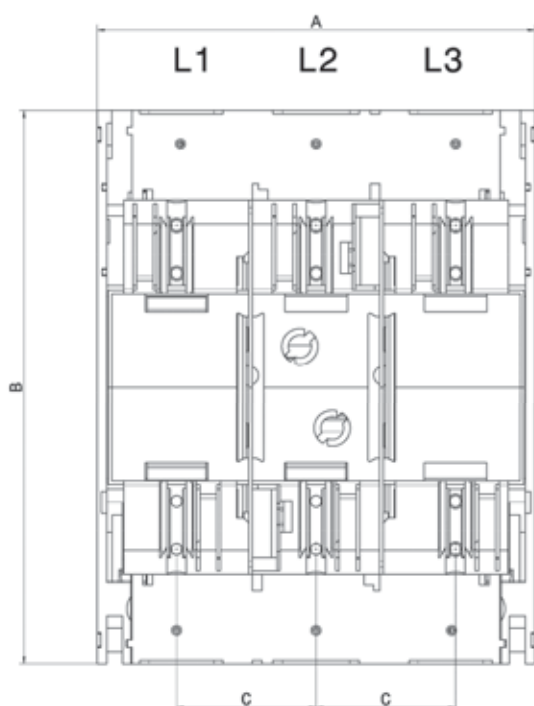
PTV-B 1 3p M10 BOTTOM, PTV-B 2 3p M10 BOTTOM



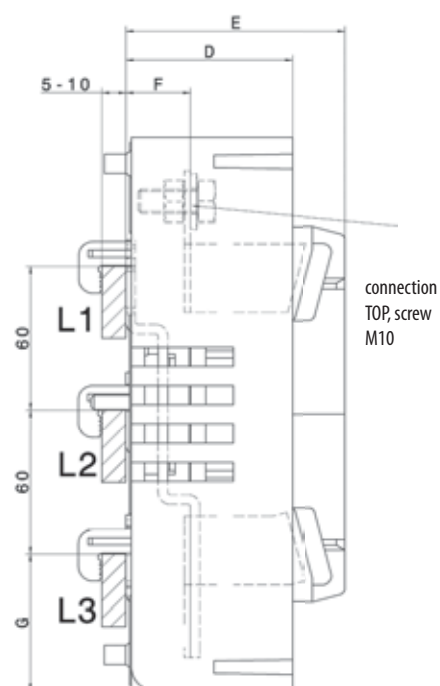
	A	B	C	D	E	F	G
PTV-B 1 3p M10 BOTTOM	184	230	58	69	92	27	57
PTV-B 2 3p M10 BOTTOM	210	256	66	83	101	27	68



## Technical data



PTV-B 1 3p M10 TOP, PTV-B 2 3p M10 TOP



	A	B	C	D	E	F	G
PTV-B 1 3p M10 TOP	184	230	58	69	92	27	57
PTV-B 2 3p M10 TOP	210	256	66	83	101	27	68

### Technical data (in accordance with EN 60269-1, EN 60269-2-2)

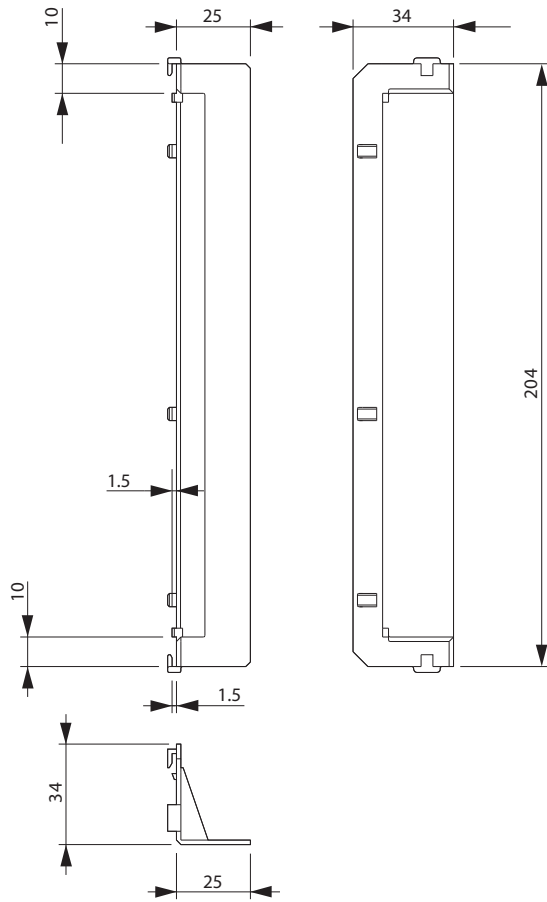
Technical Specifications				HVL-B 000 3p F57 Slim	
<b>Electrical characteristics</b>					
For NH fuse-links acc. to DIN VDE 0636-2	Size	6000			
Rated operational voltage	Ue	V	500 AC, 220 DC		
Rated operational current 1)	Ie	A	125		
Conv. free air thermal current with fuse-links 1)	Ith	A	125		
Conv. free air thermal current with solid-links 1)	Ith	A	160		
Rated frequency	–	Hz	40-60		
Rated insulation voltage	Ui	V	500 AC		
Total power loss at Ith (without fuse-links)	Pv	W	18		
Rated impulse withstand voltage	Uimp	kV	8		
Utilization category	–	–	AC-22B (500V/125A) DC-22B (220V/100A)		
Rated conditional short-circuit current 2)	–	kA	50		
Rated short-time withstand current	Icw	kA	–		
Max. permis. power loss per fuse-link	Pa	W	8		
<b>Cable terminal</b>					
Clamp	Clamping cross-section	–	mm <sup>2</sup>	F50	○: 1,5-50 Cu / □: 6 x 9 x 0,8
	Tightening torque	–	Nm		26
Degree of protection Front side	Operating condition				IP20
	Switching element open				IP10
<b>Operating conditions</b>					
Ambient temperature 3)	T	°C	-25 ... +55		
Delovno stanje	–	–	Uninterrupted duty		
Actuation	–	–	Dependent manual operation		
Vgradni položaj	–	–	Vertical, horizontal		
Altitude	–	m	< 2000		
Verschmutzungsgrad/Pollution degree	–	–	3		
Überspannungskategorie/Overvoltage category	–	–	III		

1) In case of mounting of several units in low voltage switchgear-combinations, please consider rated diversity factors acc. to EN 61439-1

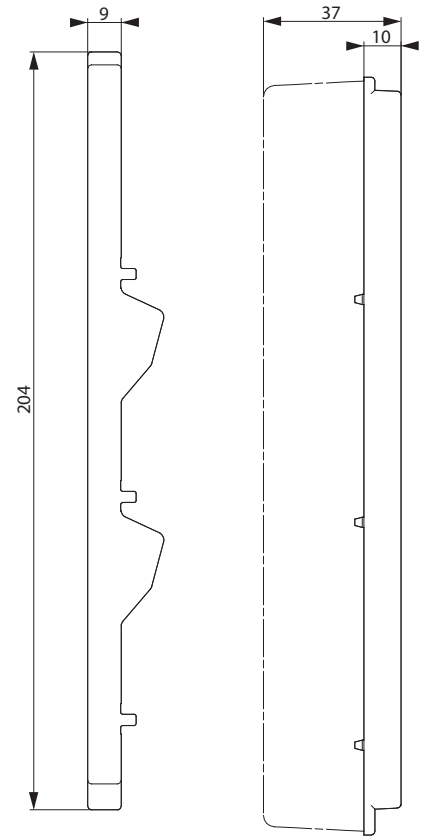
2) Type tested with NH-fuse-links characteristic gG

3) 35°C Normal temperature, at 55°C with reduced operating current

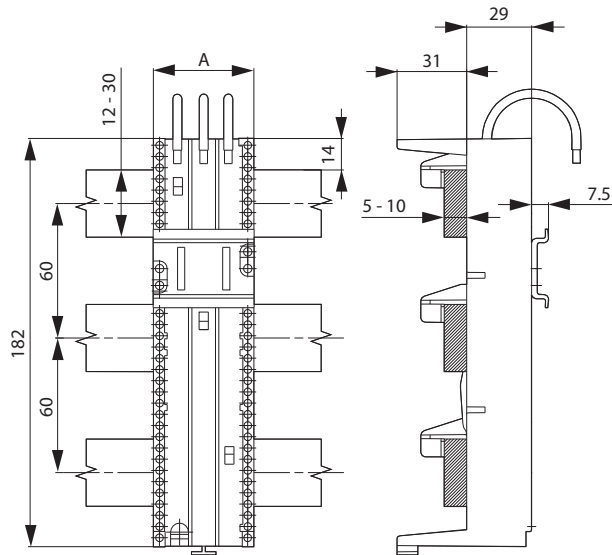
Technical data



RTP-RL/230



PRS-DVL



	A
GA-60/25/45	45
GA-60/32/108	108
GA-60/32/54	54
GA-60/32/63	63
GA-60/32/72	72
GA-60/32/81	81

	A
GA-60/63/108	108
GA-60/63/54	54
GA-60/63/63	63
GA-60/63/72	72
GA-60/63/81	81

DA-60/25/..., DA-60/32/..., DA-60/63/...