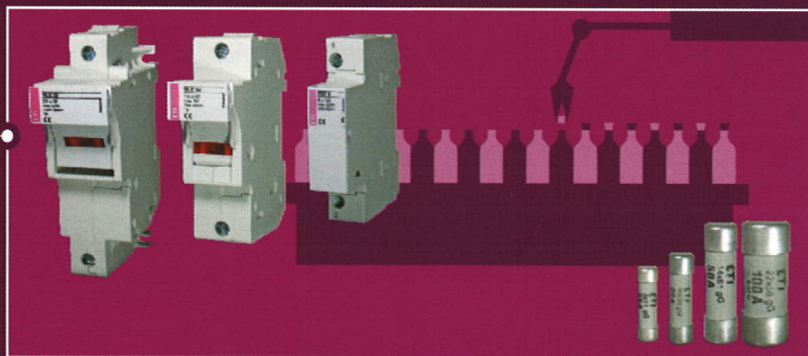


INDUSTRIAL INSTALLATIONS

High-quality protection of installations and devices in industry is ensured by wide selection of fuse-links and circuit breakers. Particularly important is the wide range of NV/NH fuse-links and switchgear combinations, i.e. fuse blocks and switch disconnectors. We also offer MCB's and power circuit breakers ETIBREAK. And not to forget ETICON contactors, plug-in outfit and line-up terminals SPOJ and overvoltage protection devices ETITEC. As well we can not provide solutions without switch disconnectors ETISWITCH and actuators and indicators ETISIG. The products are internationally certified and carry several quality marks.

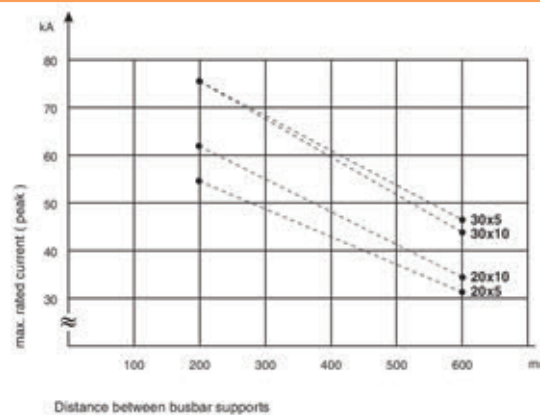


INDUSTRY

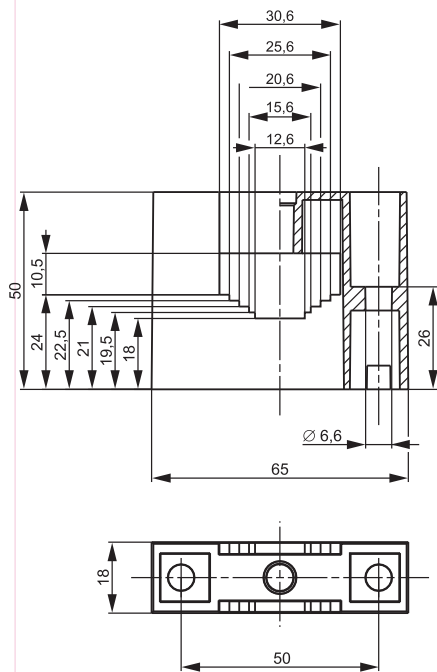
Supports and connections (60mm busbar)

Type	Code No.	Description	Packaging [pcs]
BBS-60/1	001696000	1-pole busbar support for busbars 5-10mm and 20mm or 30mm width	10
BBS-60/3	001696001	3-pole busbar support for busbars 5-10mm and 20mm or 30mm width	10
BBS-60/4	001696002	4-pole busbar support for busbars 5-10mm and 20mm or 30mm width	10
BBS-60/3-A25	001696003	3-pole busbar support for busbars 5-10mm and 20mm or 30mm width with 25mm ² terminals	5
BBS-60/3-A16	001696004	3-pole busbar support for busbars 5-10mm and 20mm or 30mm width with 16mm ² terminals	5
H5-BBS	001696005	Insertion for busbar height compensation, 5mm	100
L-BBS-60/3	001696006	Lateral cover for busbar holder, 3p	10
L-BBS-60/4	001696007	Lateral cover for busbar holder, 4p	10
S-BBS-60/3	001696008	Side cover for busbar holder (BBS-60/3-A), 3p	10
BBC-60/3	001696009	Busbar cover (3-pole), covering range 27-50mm/piece	50
BBC-60/4	001696010	Busbar cover (4-pole), covering range 27-50mm/piece	50
BBC-1/20	001696011	Busbar cover (1-pole) for single busbar 5-10mm thick and 20mm wide, length 1m	20
BBC-1/30	001696012	Busbar cover (1-pole) for single busbar 5-10mm thick and 30mm wide, length 1m	20
CM-60/250/3	001696013	Connecting module 250A, 3-pole, terminal 1,5 - 70mm ² connection	1
CM-60/250/4	001696014	Connecting module 250A, 4-pole, terminal 1,5 - 70mm ² connection	1
CM-60/250/3/120-5	001696015	Connecting module 250A, 3-pole, terminal 16 - 120mm ² connection using Cu cable or flat Cu busbar 5mm	1
CM-60/250/3/120-10	001696016	Connecting module 250A, 3-pole, terminal 16 - 120mm ² connection using Cu cable or flat Cu busbar 10mm	1
CM-60/630/3	001696017	Connecting module 630A, 3-pole, terminal 70 - 300mm ² connection	1
CM-60/630/F/3	001696018	Connecting module 630A, 3-pole, terminal clamping range 11x21mm using flat Cu busbar	1
CT-5/16	001696019	Conductor terminal with clamping range 1,5-16mm ² for busbar thickness 5mm	50
CT-5/35	001696020	Conductor terminal with clamping range 1,5-35mm ² for busbar thickness 5mm	15
CT-5/50	001696021	Conductor terminal with clamping range 1,5-50mm ² for busbar thickness 5mm	15
CT-5/70	001696022	Conductor terminal with clamping range 16-70mm ² for busbar thickness 5mm	15
CT-5/120	001696023	Conductor terminal with clamping range 16-120mm ² for busbar thickness 5mm	15
CT-5/185	001696024	Conductor terminal with clamping range 16-185mm ² for busbar thickness 5mm	15
CT-10/16	001696025	Conductor terminal with clamping range 1,5-16mm ² for busbar thickness 10mm	50
CT-10/35	001696026	Conductor terminal with clamping range 1,5-35mm ² for busbar thickness 10mm	15
CT-10/50	001696027	Conductor terminal with clamping range 1,5-50mm ² for busbar thickness 10mm	15
CT-10/70	001696028	Conductor terminal with clamping range 16-70mm ² for busbar thickness 10mm	15
CT-10/120	001696029	Conductor terminal with clamping range 16-120mm ² for busbar thickness 10mm	15
CT-10/185	001696030	Conductor terminal with clamping range 16-185mm ² for busbar thickness 10mm	15
PT-30/34x10	001696031	Plate terminal for busbars up to 30mm width, clamping range 34x34x10mm	3
PT-40/34x10	001696150	Plate terminal for busbars up to 40mm width, clamping range 34x34x10mm	3
PT-50/34x10	001696151	Plate terminal for busbars up to 50mm width, clamping range 34x34x10mm	3
BBCH-60/144	001696032	Universal cover of 3-pole busbars 5-10mm, covering width 144mm (ex. cover for conductor terminals type CT-...)	1
BBCH-60/84	001696033	Universal cover of 3-pole busbars 5-10mm, covering width 84mm (ex. cover for conductor terminals type CT-...)	1

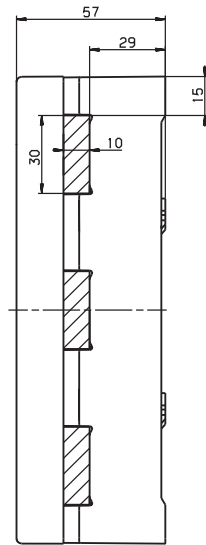
BBS-60/... can be adjusted to 20m or 30mm busbar width and 5-10 mm thickness.



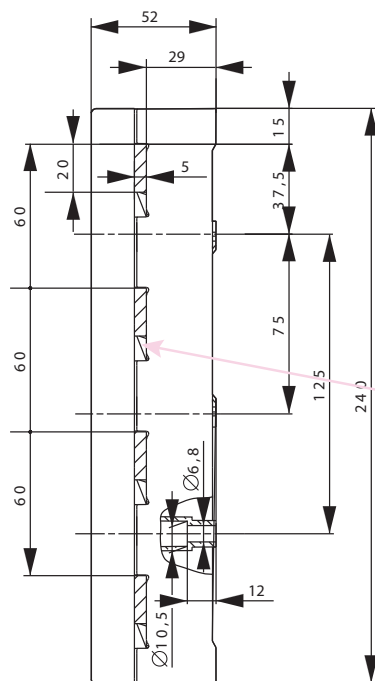
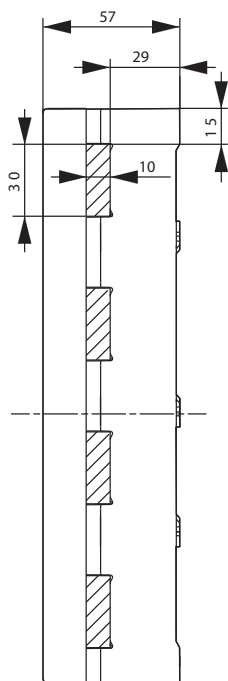
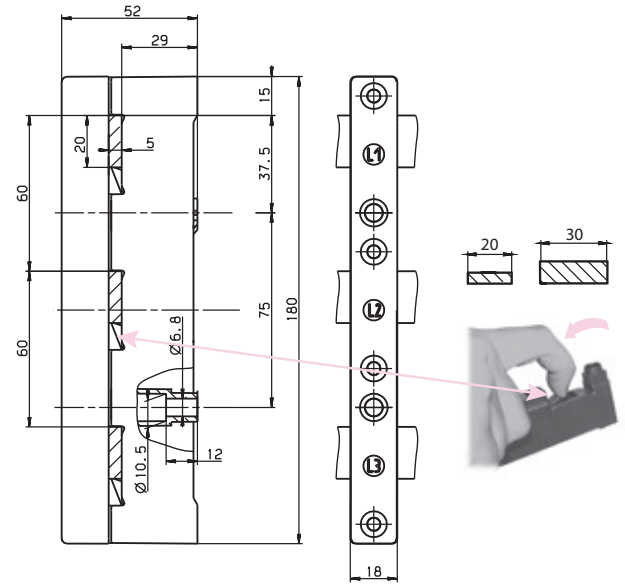
Busbar support



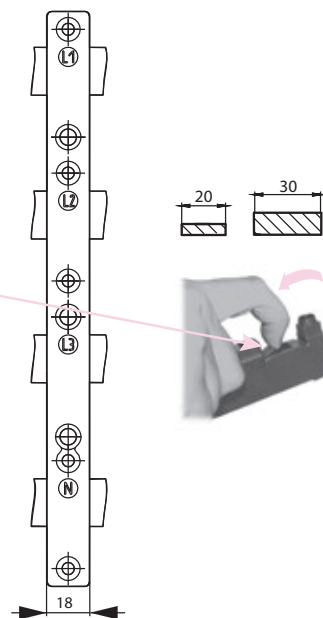
BBS-60/1

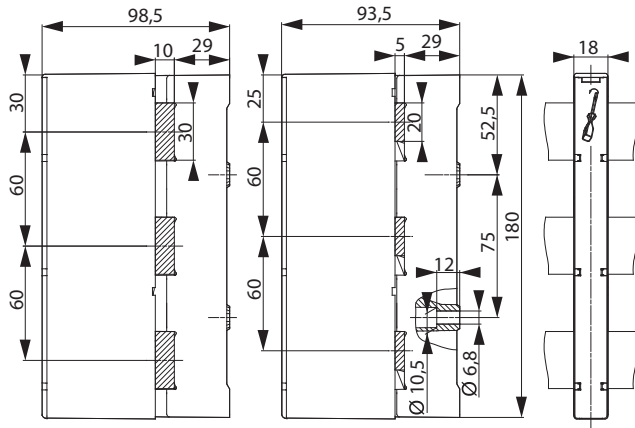


BBS-60/3



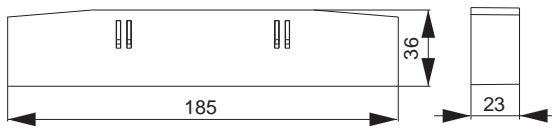
BBS-60/4



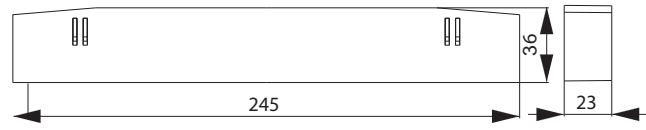


BBS-60/3-A16 (A25)

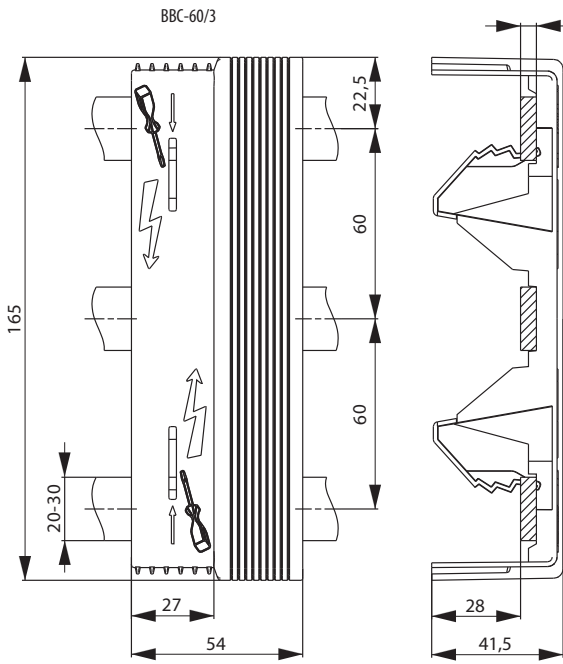
S-BBS-60/3



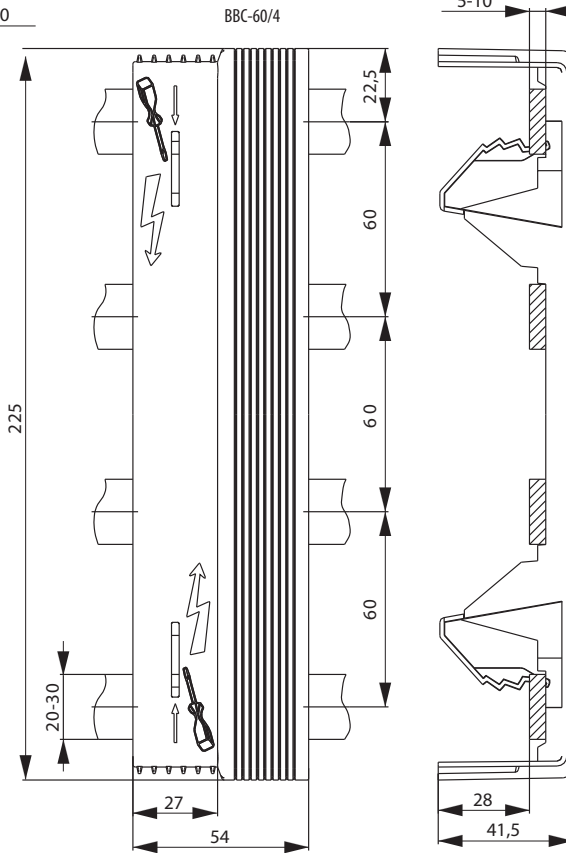
L-BBS-60/3



L-BBS-60/4



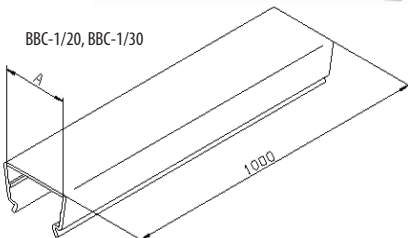
BBC-60/3



BBC-60/4

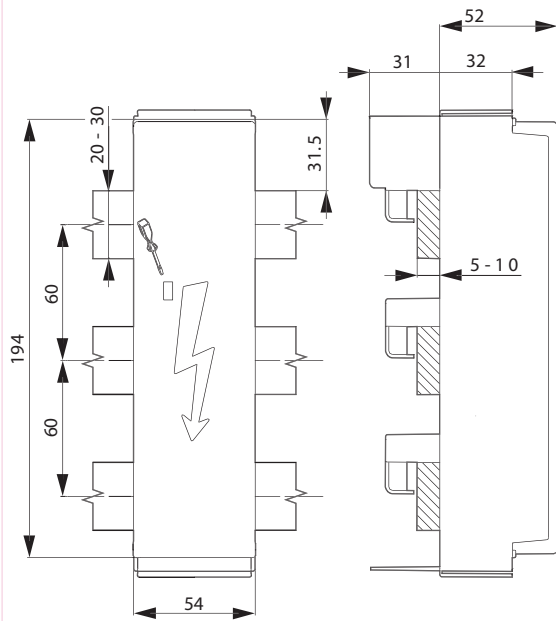


BBC-1/20, BBC-1/30

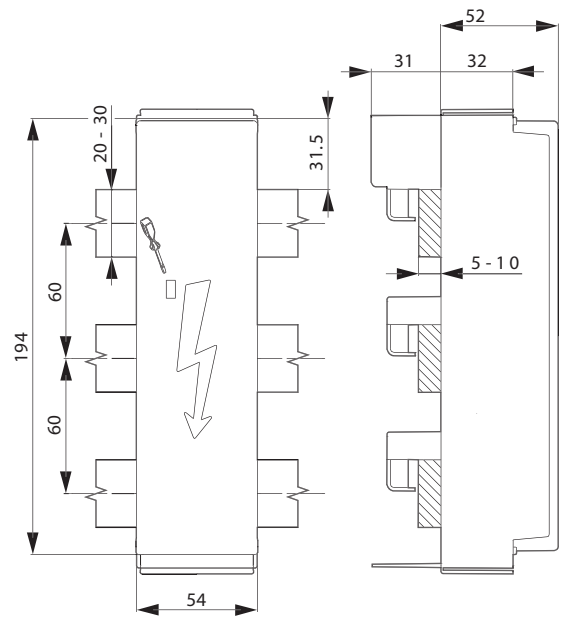


	A	Busbar Type
BBC-1/20	21	20x5 / 20x10
BBC-1/30	31	30x5 / 30x10

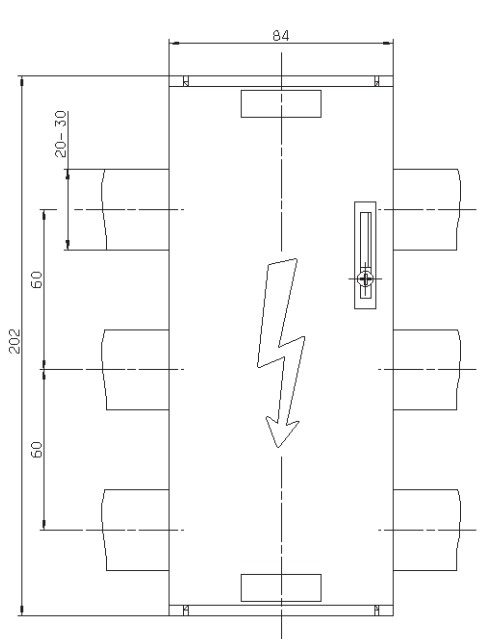
Technical data



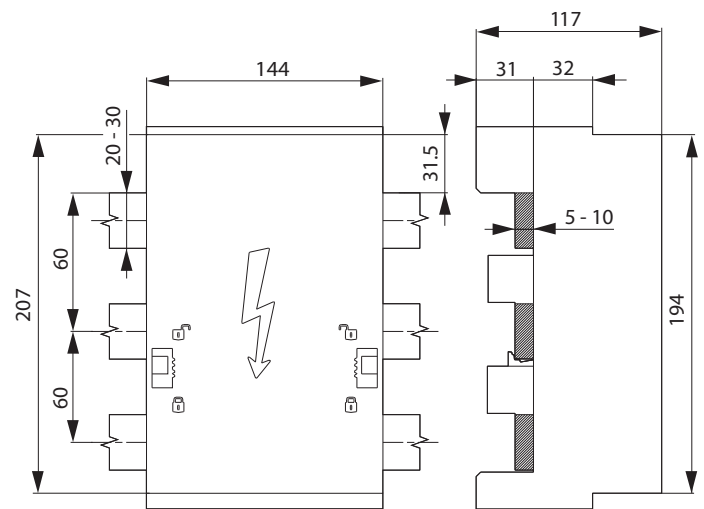
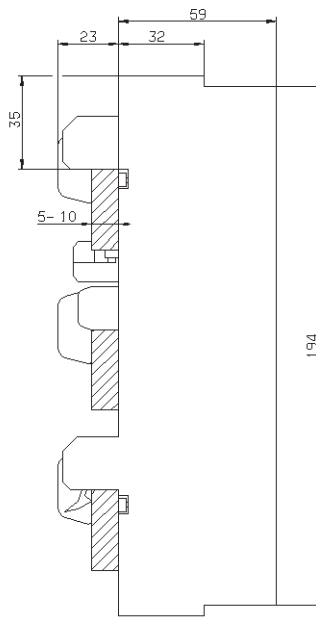
CM-60/250/3



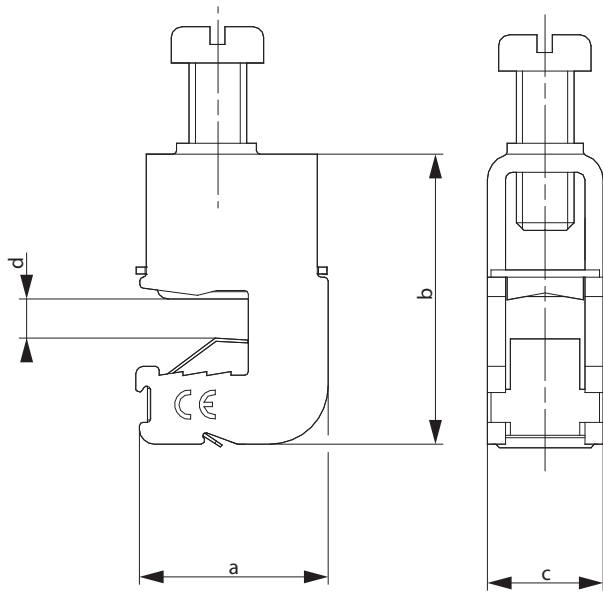
CM-60/250/4



CM-60/250/3/120-5/10

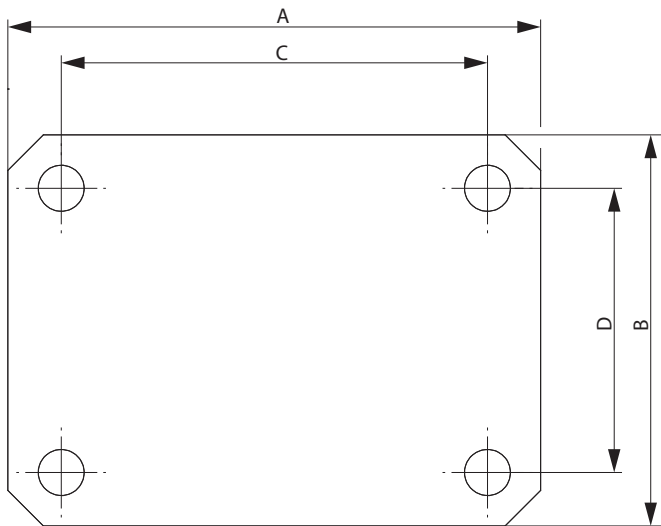


CM-60/630/3



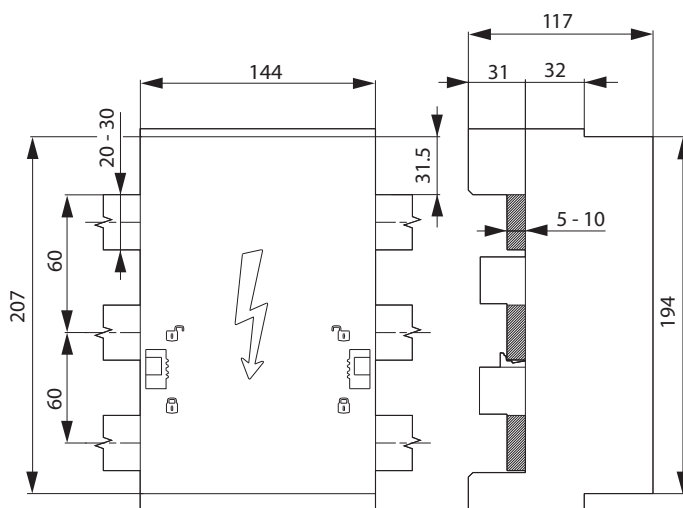
	d (Busbar thickness)	a	b	c
CT-5/16	5	25,5	26,5	12
CT-5/35		26,5	31,5	16
CT-5/50		26,5	35	16
CT-5/70		28	39	20,5
CT-5/120		29	46	23
CT-5/185		29	49	28,5
CT-5/185	10	25,5	31,5	12
CT-10/35		26,5	36	16
CT-10/50		26,5	40	16
CT-10/70		28	39	20,5
CT-10/120		29	51	23
CT-10/185		29	53	28,5

CT-...

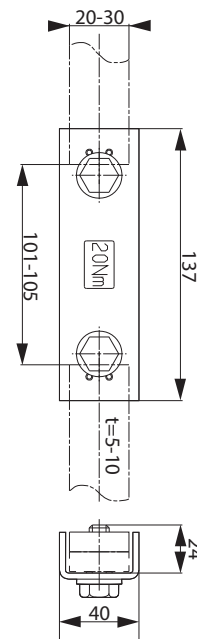


PT-30/34x10

	A	B	C	D
00169031	55	55	40	40
00169150	65	55	50	40
00169151	75	55	60	40



BBCH-60/144



BC-20x5-30x10