

SB (S Box) Double insulation enclosures IP66, IK10

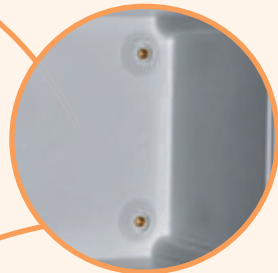
Enclosures made of fiberglass-reinforced polyester RAL 7035



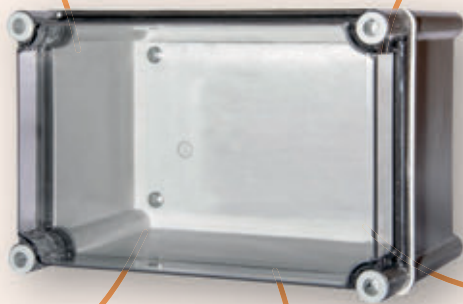
→ Fixing enclosures directly on wall (surface mounted) thru pre-made holes



→ One enclosure includes polyester mounting plate. If necessary it is possible to order additional plate separately (as replacement)



→ Removable mounting plate fixed by 4 screws and pressed nuts



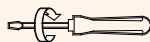
→ Top cover sealed for high IP degree (IP66)



→ Door hinges as an option, must be ordered separately (Accessories). Recommended use of the silicone to keep IP protection degree (screw holes)



→ Attaching the top cover by four screws using a flat screwdriver



(Max. 2,1 Nm)

Double insulation wall mounted enclosures

Description
 Enclosures made of fiberglass-reinforced polyester RAL 7035, designed for extreme conditions:

- self extinguishing 960 °C , does not lead flames
- waterproof, IP66
- double insulation
- halogen free
- UV stable polycarbonate cover with gasket
- wide temperature range -30 °C / + 60 °C
- protection against external mechanical impacts: IK10
- easy handling & user friendly
- suitable for PV applications, nominal voltage 1000 V DC
- nominal current 1000A

Enclosures - transparent lid, grey base RAL 7035				
Type	Code No.	Number of modules	Weight [g]	Packaging [pcs]
SB-32	001102500	270x180x170	1,25	1
SB-44	001102501	360x360x170	2,90	1
SB-64	001102502	540x360x170	5,05	1

*polyester mounting plate already included and mounted in the box



They are exceptionally durable, corrosion resistant, can withstand exposure to chemicals, water and extreme condition

Accessories, spare parts				
Type	Code No.	Description	Weight [g]	Packaging [pcs]
SB-MP32	001102503	Mounting plate for SB-32	0,16	5
SB-MP44	001102504	Mounting plate for SB-44	0,71	5
SB-MP64	001102505	Mounting plate for SB-64	0,88	5
SB-HIN	001102507	Door Hinges	0,01	1



SB-MP..



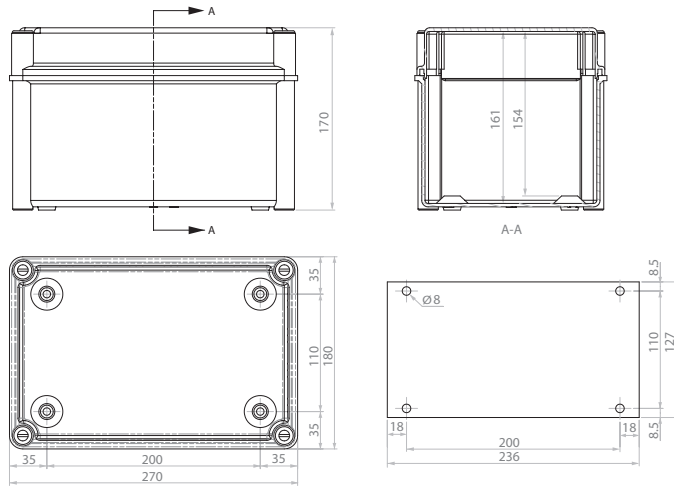
SB-HIN

SB (S Box) Double insulation enclosures IP66, IK10

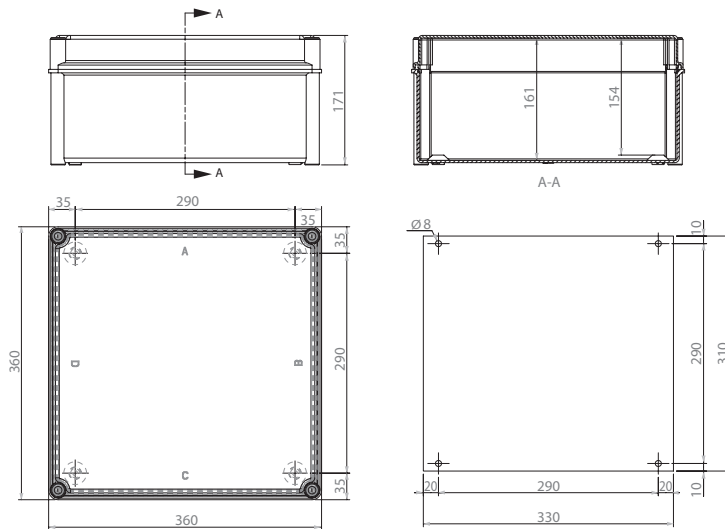
Technical data

IP protection degree	IP 66
IK protection degree	IK10 (≤ 20 kJ)
Double insulation	
Insulation class	II
Nominal voltage	1000V DC
Nominal current	1000 A
Installation temperature	-30°C ... +60°C
Colour	Base - grey (RAL 7035) / Lid - transparent
Flame resistance (UL 94)	Base - V0 / Lid - V2
Thermal resistance	Base - 960°C / Lid - 750°C
Standard	IEC 62208

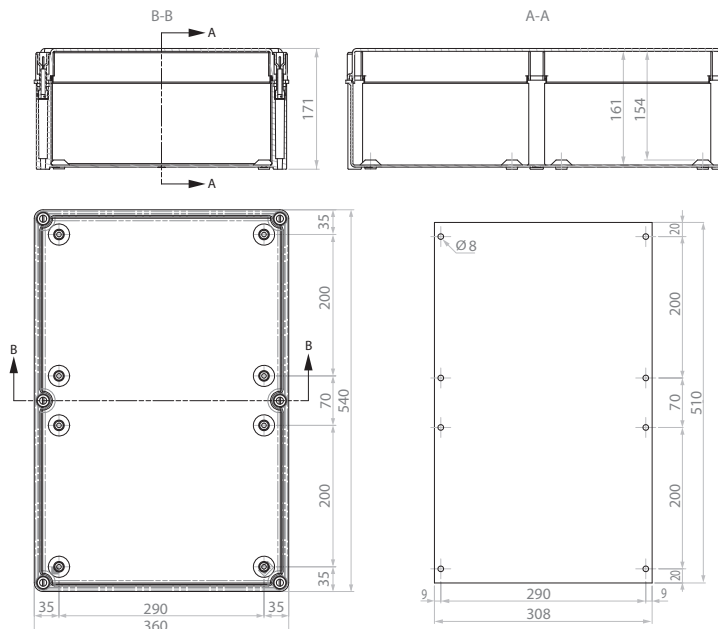
Dimensions



SB-32



SB-44



SB-64