

Metal enclosures GT Type, IP66

Application :

GT-Type metal enclosures cover a wide range of applications both for industrial and civil buildings. Due to its design they provide high IP protection level, mechanical strength and functionality. They are used in places where electrical equipment is exposed to adverse effect of factors such as water, dust, mechanical impact..

Main advantages:

- Enclosures made of high quality sheet steel thicknesses from 1.2 mm to 2 mm, resistant to external mechanical factors - IK10.
- Specially profiled edges of the housing ensure stiffness and excellent protection against water. Poured polyurethane gasket on the door providing IP66 protection.
- Door opening in the contour of the outer casing, which allows direct linking of several enclosures in series - a special structure hinges. The door mounting on the left or right side.

Not for external use.



GT 100-80-30

Height

Width

Depth

Metal enclosures GT Type

| Type | Code | Lock quantity | Hinges quantity | Weight (kg) | Packaging (pcs.) |
|--------------|-----------|---------------|-----------------|-------------|------------------|
| GT 25-20-15 | 001102100 | 1 | 2 | 3,61 | 1 |
| GT 30-20-15 | 001102101 | 1 | 2 | 4,14 | 1 |
| GT 30-30-15 | 001102102 | 1 | 2 | 5,65 | 1 |
| GT 30-30-20 | 001102103 | 1 | 2 | 6,38 | 1 |
| GT 30-30-25 | 001102104 | 1 | 2 | 7,13 | 1 |
| GT 40-30-15 | 001102105 | 1 | 2 | 7,07 | 1 |
| GT 40-30-20 | 001102106 | 1 | 2 | 7,90 | 1 |
| GT 40-30-25 | 001102107 | 1 | 2 | 8,74 | 1 |
| GT 40-40-15 | 001102108 | 1 | 2 | 8,92 | 1 |
| GT 40-40-20 | 001102109 | 1 | 2 | 9,90 | 1 |
| GT 40-40-25 | 001102110 | 1 | 2 | 10,89 | 1 |
| GT 40-60-20 | 001102111 | 1 | 2 | 14,57 | 1 |
| GT 40-60-25 | 001102112 | 1 | 2 | 15,87 | 1 |
| GT 40-60-30 | 001102113 | 1 | 2 | 17,17 | 1 |
| GT 50-40-15 | 001102114 | 2 | 2 | 10,69 | 1 |
| GT 50-40-20 | 001102115 | 2 | 2 | 11,17 | 1 |
| GT 50-40-25 | 001102116 | 2 | 2 | 12,86 | 1 |
| GT 50-55-20 | 001102117 | 2 | 2 | 15,30 | 1 |
| GT 50-55-25 | 001102118 | 2 | 2 | 16,62 | 1 |
| GT 60-40-15 | 001102119 | 2 | 2 | 12,47 | 1 |
| GT 60-40-20 | 001102120 | 2 | 2 | 13,64 | 1 |
| GT 60-40-25 | 001102121 | 2 | 2 | 14,82 | 1 |
| GT 60-60-20 | 001102122 | 2 | 2 | 20,02 | 1 |
| GT 60-60-25 | 001102123 | 2 | 2 | 21,51 | 1 |
| GT 60-60-30 | 001102124 | 2 | 2 | 22,99 | 1 |
| GT 60-80-30 | 001102125 | 2 | 2 | 32,65 | 1 |
| GT 65-55-20 | 001102126 | 2 | 2 | 19,86 | 1 |
| GT 65-55-25 | 001102127 | 2 | 2 | 21,32 | 1 |
| GT 80-40-20 | 001102128 | 2 | 3 | 19,45 | 1 |
| GT 80-40-25 | 001102129 | 2 | 3 | 21,11 | 1 |
| GT 80-55-20 | 001102130 | 2 | 3 | 26,17 | 1 |
| GT 80-55-25 | 001102131 | 2 | 3 | 28,11 | 1 |
| GT 80-60-20 | 001102132 | 2 | 3 | 28,13 | 1 |
| GT 80-60-25 | 001102133 | 2 | 3 | 30,14 | 1 |
| GT 80-60-30 | 001102134 | 2 | 3 | 32,17 | 1 |
| GT 80-60-40 | 001102135 | 2 | 3 | 36,20 | 1 |
| GT 80-80-20 | 001102136 | 2 | 3 | 35,93 | 1 |
| GT 80-80-25 | 001102137 | 2 | 3 | 38,31 | 1 |
| GT 80-80-30 | 001102138 | 2 | 3 | 40,68 | 1 |
| GT 80-80-40 | 001102139 | 2 | 3 | 45,44 | 1 |
| GT 80-100-30 | 001102140 | 2 | 3 | 49,20 | 1 |
| GT 80-100-40 | 001102141 | 2 | 3 | 54,67 | 1 |

Metal enclosures GT type, IP65

Compliance with standards and directives:

EN 62208 Empty enclosures for low voltage switchgear and controlgear
EN 60529 Degrees of protection provided by enclosures (IP Code)
EN 62262 Degrees of protection against external mechanical impacts provided by enclosures of electrical equipment (IK code)
Meet the requirements of the RoHS Directive
Marked CE

The enclosures are supplied with:

- Cable entry cover with mounting kit
- Mounting plate with mounting kit
- Door lock with, double-bit insert and key
- Cover holes
- Earthing set of grounding (without cable)

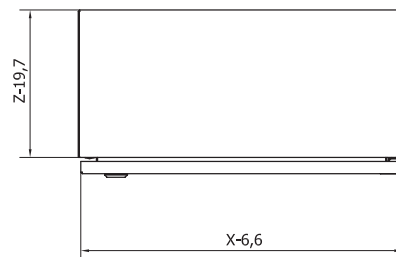
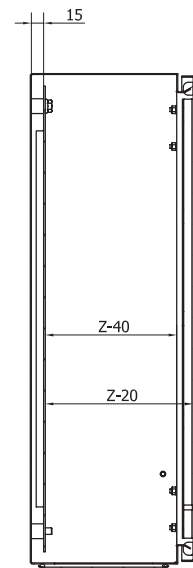
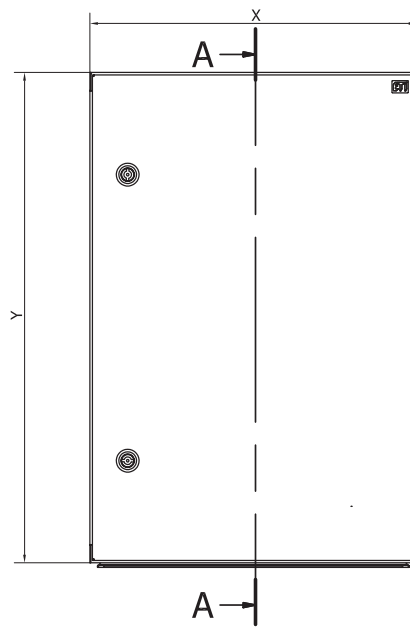
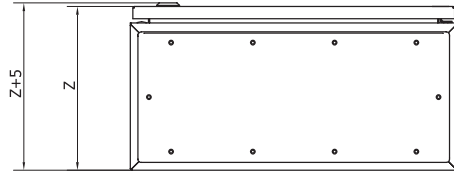
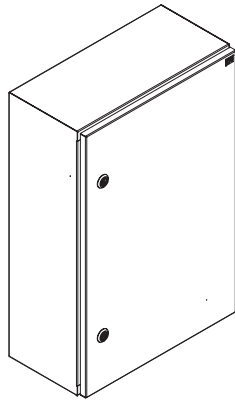
Symbols:

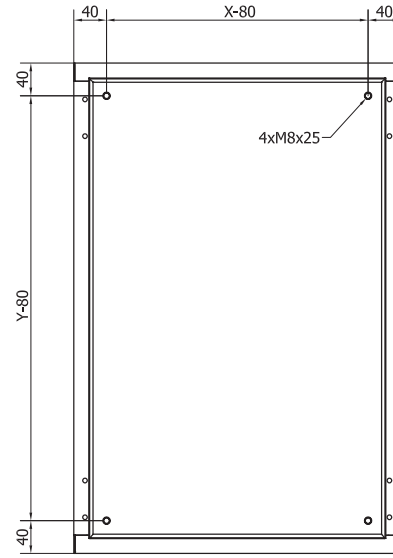
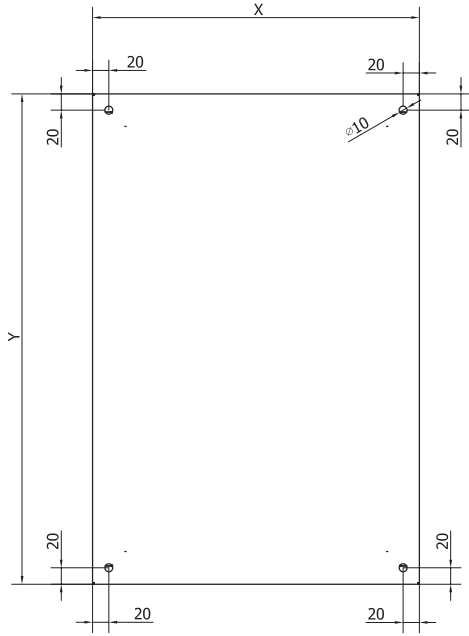
GT 100-80-30

Height Width Depth

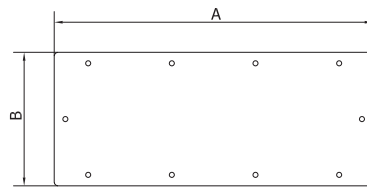
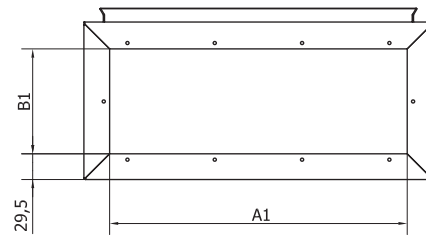
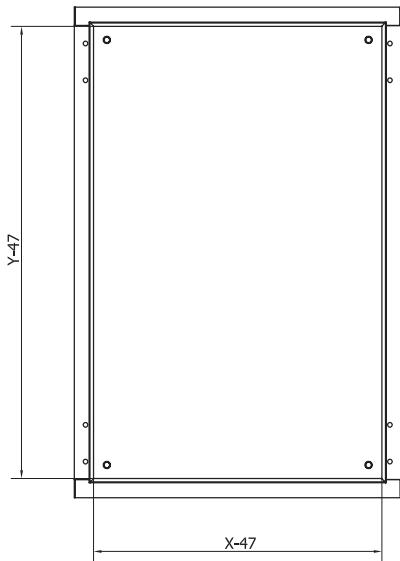
| Type | Height Y (mm) | Width X (mm) | Depth Z (mm) | Lock quantity | Hinges quantity | Cable entry depth B1 (mm) | Cable entry width A1 (mm) | Cover cable entry depth B (mm) | Cover cable entry width A (mm) |
|---------------|---------------|--------------|--------------|---------------|-----------------|---------------------------|---------------------------|--------------------------------|--------------------------------|
| GT 25-20-15 | 250 | 200 | 150 | 1 | 2 | 70 | 140 | 110 | 180 |
| GT 30-20-15 | 300 | 200 | 150 | 1 | 2 | 70 | 140 | 110 | 180 |
| GT 30-30-15 | 300 | 300 | 150 | 1 | 2 | 70 | 240 | 110 | 280 |
| GT 30-30-20 | 300 | 300 | 200 | 1 | 2 | 120 | 240 | 160 | 280 |
| GT 30-30-25 | 300 | 300 | 250 | 1 | 2 | 170 | 240 | 210 | 280 |
| GT 40-30-15 | 400 | 300 | 150 | 1 | 2 | 70 | 240 | 110 | 280 |
| GT 40-30-20 | 400 | 300 | 200 | 1 | 2 | 120 | 240 | 160 | 280 |
| GT 40-30-25 | 400 | 300 | 250 | 1 | 2 | 170 | 240 | 210 | 280 |
| GT 40-40-15 | 400 | 400 | 150 | 1 | 2 | 70 | 340 | 110 | 380 |
| GT 40-40-20 | 400 | 400 | 200 | 1 | 2 | 120 | 340 | 160 | 380 |
| GT 40-40-25 | 400 | 400 | 250 | 1 | 2 | 170 | 340 | 210 | 380 |
| GT 40-60-20 | 400 | 600 | 200 | 1 | 2 | 120 | 540 | 160 | 580 |
| GT 40-60-25 | 400 | 600 | 250 | 1 | 2 | 170 | 540 | 210 | 580 |
| GT 40-60-30 | 400 | 600 | 300 | 1 | 2 | 170 | 540 | 210 | 580 |
| GT 50-40-15 | 500 | 400 | 150 | 2 | 2 | 70 | 340 | 110 | 380 |
| GT 50-40-20 | 500 | 400 | 200 | 2 | 2 | 120 | 340 | 160 | 380 |
| GT 50-40-25 | 500 | 400 | 250 | 2 | 2 | 170 | 340 | 210 | 380 |
| GT 50-55-20 | 500 | 550 | 200 | 2 | 2 | 120 | 490 | 160 | 530 |
| GT 50-55-25 | 500 | 550 | 250 | 2 | 2 | 170 | 490 | 210 | 530 |
| GT 60-40-15 | 600 | 400 | 150 | 2 | 2 | 70 | 340 | 110 | 380 |
| GT 60-40-20 | 600 | 400 | 200 | 2 | 2 | 120 | 340 | 160 | 380 |
| GT 60-40-25 | 600 | 400 | 250 | 2 | 2 | 170 | 340 | 210 | 380 |
| GT 60-60-20 | 600 | 600 | 200 | 2 | 2 | 120 | 540 | 160 | 580 |
| GT 60-60-25 | 600 | 600 | 250 | 2 | 2 | 170 | 540 | 210 | 580 |
| GT 60-60-30 | 600 | 600 | 300 | 2 | 2 | 170 | 540 | 210 | 580 |
| GT 60-80-30 | 600 | 800 | 300 | 2 | 2 | 170 | 740 | 210 | 780 |
| GT 65-55-20 | 650 | 550 | 200 | 2 | 2 | 120 | 490 | 160 | 530 |
| GT 65-55-25 | 650 | 550 | 250 | 2 | 2 | 170 | 490 | 210 | 530 |
| GT 80-40-20 | 800 | 400 | 200 | 2 | 3 | 120 | 340 | 160 | 380 |
| GT 80-40-25 | 800 | 400 | 250 | 2 | 3 | 170 | 340 | 210 | 380 |
| GT 80-55-20 | 800 | 550 | 200 | 2 | 3 | 120 | 490 | 160 | 530 |
| GT 80-55-25 | 800 | 550 | 250 | 2 | 3 | 170 | 490 | 210 | 530 |
| GT 80-60-20 | 800 | 600 | 200 | 2 | 3 | 120 | 540 | 160 | 580 |
| GT 80-60-25 | 800 | 600 | 250 | 2 | 3 | 170 | 540 | 210 | 580 |
| GT 80-60-30 | 800 | 600 | 300 | 2 | 3 | 170 | 540 | 210 | 580 |
| GT 80-60-40 | 800 | 600 | 400 | 2 | 3 | 170 | 540 | 210 | 580 |
| GT 80-80-20 | 800 | 800 | 200 | 2 | 3 | 120 | 740 | 160 | 780 |
| GT 80-80-25 | 800 | 800 | 250 | 2 | 3 | 170 | 740 | 210 | 780 |
| GT 80-80-30 | 800 | 800 | 300 | 2 | 3 | 170 | 740 | 210 | 780 |
| GT 80-80-40 | 800 | 800 | 400 | 2 | 3 | 170 | 740 | 210 | 780 |
| GT 80-100-30 | 800 | 1000 | 300 | 2 | 3 | 170 | 940 | 210 | 980 |
| GT 80-100-40 | 800 | 1000 | 400 | 2 | 3 | 170 | 940 | 210 | 980 |
| GT 100-60-25 | 1000 | 600 | 250 | 3p* | 3 | 170 | 540 | 210 | 580 |
| GT 100-60-30 | 1000 | 600 | 300 | 3p* | 3 | 170 | 540 | 210 | 580 |
| GT 100-60-40 | 1000 | 600 | 400 | 3p* | 3 | 170 | 540 | 210 | 580 |
| GT 100-80-25 | 1000 | 800 | 250 | 3p* | 3 | 170 | 740 | 210 | 780 |
| GT 100-80-30 | 1000 | 800 | 300 | 3p* | 3 | 170 | 740 | 210 | 780 |
| GT 100-80-40 | 1000 | 800 | 400 | 3p* | 3 | 170 | 740 | 210 | 780 |
| GT 100-100-25 | 1000 | 1000 | 250 | 3p* | 3 | 170 | 940 | 210 | 980 |
| GT 100-100-30 | 1000 | 1000 | 300 | 3p* | 3 | 170 | 940 | 210 | 980 |
| GT 100-100-40 | 1000 | 1000 | 400 | 3p* | 3 | 170 | 940 | 210 | 980 |
| GT 120-60-25 | 1200 | 600 | 250 | 3p* | 3 | 170 | 540 | 210 | 580 |
| GT 120-80-25 | 1200 | 800 | 250 | 3p* | 3 | 170 | 740 | 210 | 780 |
| GT 120-80-30 | 1200 | 800 | 300 | 3p* | 3 | 170 | 740 | 210 | 780 |
| GT 120-80-40 | 1200 | 800 | 400 | 3p* | 3 | 170 | 740 | 210 | 780 |
| GT 120-100-30 | 1200 | 1000 | 300 | 3p* | 3 | 170 | 940 | 210 | 980 |
| GT 120-100-40 | 1200 | 1000 | 400 | 3p* | 3 | 170 | 940 | 210 | 980 |

Technical data

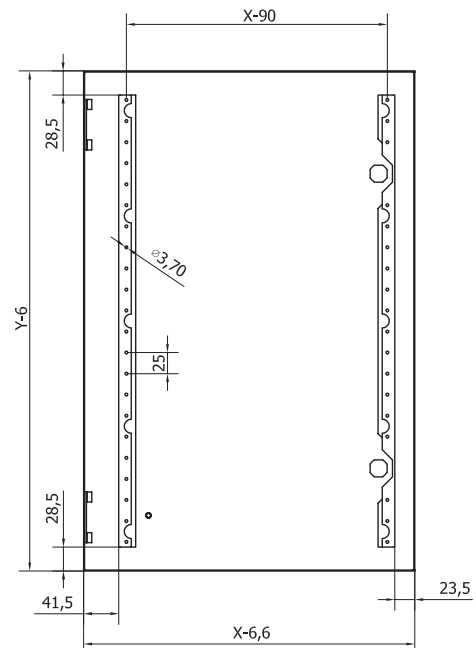
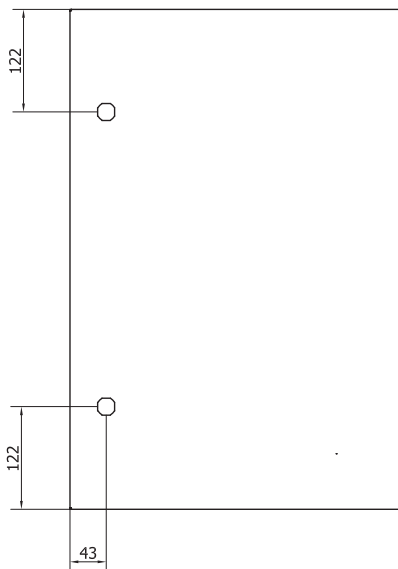




The door

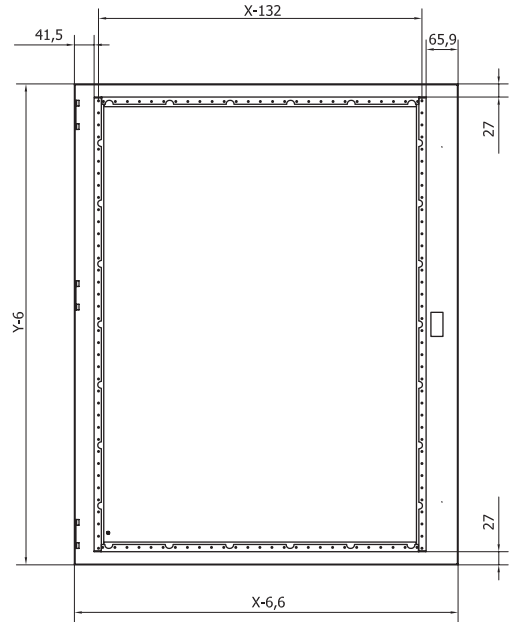
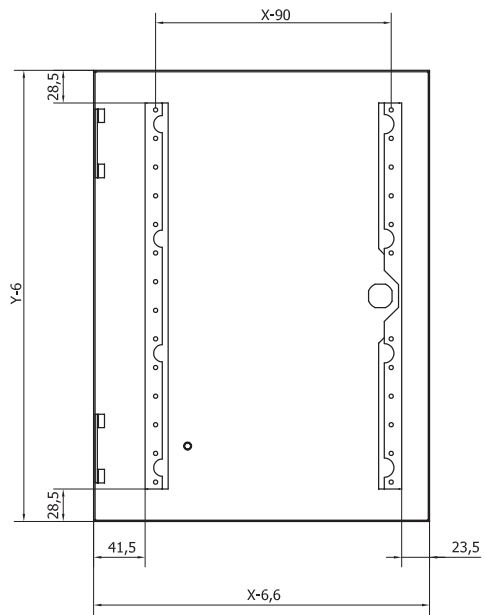


The cover of cable entry

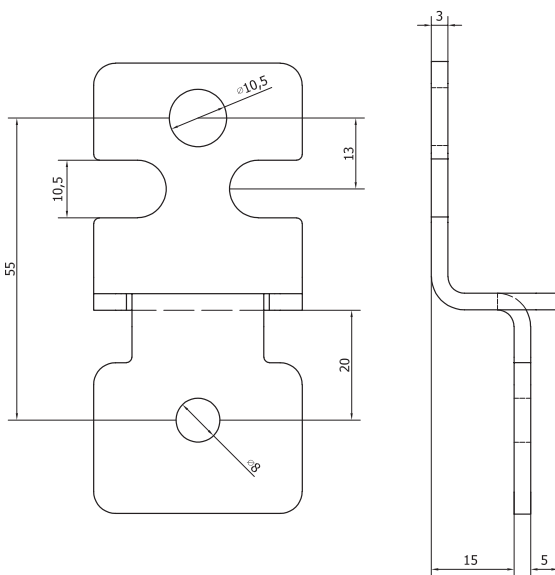


Technical data

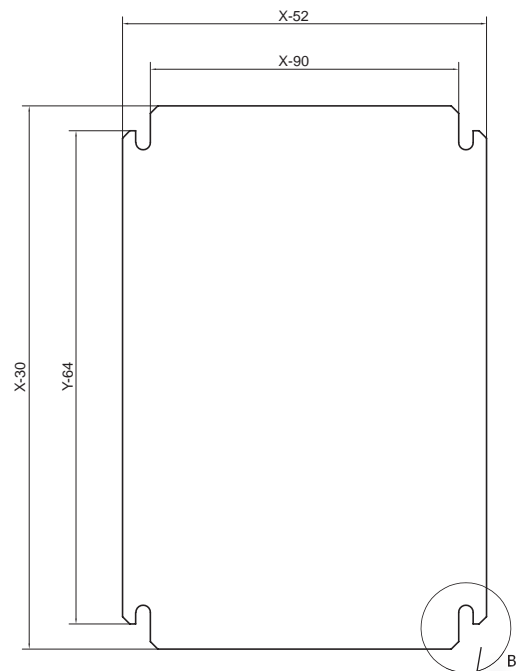
The door



Wall holder



Mounting plate



Door drilling

